

ETISWITCH

Switch disconnectors LAS	94
Switch disconnectors LA	97
Switch disconnectors fuses LAF (NV/NH)	99
Manual change-over switches LAS	103
Manual change-over switches LA	104
Technical data	337

SWITCH DISCONNECTORS



Switch disconnectors LAS

Generalities

The modular switch disconnectors of LAS series allow the breaking and the disconnecting on load of equipment on low voltage at nominal current from 16 A to 125A.

Use

The switch disconnectors of LAS series are commonly used for the following purposes:

- main switch
- switch for motors
- safety switch
- disconnector

General characteristics

- high breaking capacity (AC 22 A - AC 23 A)
- double break contacts
- high electrical and mechanical endurance
- resistant to damp heat
- IP20 degree of protection
- modular execution, basic mounting on 35 mm DIN rail and by screws, modular window 45mm

Additional poles

Fourth switched pole, solid neutral and earth pole.

Operating mechanism

Black (standard execution) or emergency direct handle padlockable in 0 position.

Handle with and without door interlock handle, black or emergency handle padlock with up to three padlocks in 0 position.

IP 65 degree of protection on door interlock handle.

Switch disconnector LAS

Rated current
16-125 A



Switch disconnector LAS (grey-black handle)

type	code No.	I_n [A]	number of poles	weight [g]	packaging [pcs]
LAS16	004660011	16	3	150	1
LAS25	004660012	25	3	150	1
LAS32	004660013	32	3	150	1
LAS40	004660014	40	3	150	1
LAS63	004660015	63	3	150	1
LAS80	004660106	80	3	265	1
LAS100	004660107	100	3	265	1
LAS125	004660108	125	3	265	1

Switch disconnector LA (yellow-red handle)

type	code No.	I_n [A]	number of poles	weight [g]	packaging [pcs]
LAS16_Y_R	004661011	16	3	150	1
LAS25_Y_R	004661012	25	3	150	1
LAS32_Y_R	004661013	32	3	150	1
LAS40_Y_R	004661014	40	3	150	1
LAS63_Y_R	004661015	63	3	150	1
LAS80_Y_R	004661106	80	3	265	1
LAS100_Y_R	004661107	100	3	265	1
LAS125_Y_R	004661108	125	3	265	1

Door mounting switch disconnector LAS

 Rated current
16-63 A

Door mounting switch disconnector LAS (grey-black handle)

NEW!

type	code No.	I_n [A]	number of poles	weight [g]	packaging [pcs]
LAS16 D	004661200	16	3	130	1
LAS25 D	004661201	25	3	130	1
LAS32 D	004661202	32	3	130	1
LAS40 D	004661203	40	3	130	1
LAS63 D	004661204	63	3	130	1

Door mounting switch disconnector LAS (yellow-red handle)

NEW!

type	code No.	I_n [A]	number of poles	weight [g]	packaging [pcs]
LAS16 DY_R	004661205	16	3	130	1
LAS25 DY_R	004661206	25	3	130	1
LAS32 DY_R	004661207	32	3	130	1
LAS40 DY_R	004661208	40	3	130	1
LAS63 DY_R	004661209	63	3	130	1



Accessories for LAS

Door interlock handle

description	code No.	for use with	weight [g]	packaging [pcs]
ROD LAS Y_R, emergency, yellow-red	004665002	LAS 16-LAS 125	46	1
ROD LAS, black	004665001	LAS 16-LAS 125	46	1

Shaft

description	code No.	for use with	weight [g]	packaging [pcs]
SH LAS 100, 100mm	004665010	LAS 16-LAS 125	8	1
SH LAS 200, 200mm	004665011	LAS 16-LAS 125	14	1
SH LAS 300, 300mm	004665012	LAS 16-LAS 125	20	1

4th pole

description	code No.	for use with	weight [g]	packaging [pcs]
P4 LAS 16	004665020	LAS 16-LAS 63	52	1
P4 LAS D	004661210	LAS 16 D - LAS 63 D	38	1

Auxiliary contact

description	code No.	for use with	weight [g]	packaging [pcs]
PS LAS 16, 1NO+1NC, screw terminals	004665050	LAS 16-LAS 125	38	1
PS LAS D, 1NO+1NC, faston terminals	004661213	LAS 16 D - LAS 125 D	38	1

Earth pole

description	code No.	for use with	weight [g]	packaging [pcs]
PE LAS 16	004665040	LAS 16-LAS 63	56	1
PE LAS D	004661212	LAS 16 D - LAS 63 D	56	1

Solid neutral

description	code No.	for use with	weight [g]	packaging [pcs]
N LAS 16	004665030	LAS 16-LAS 63	56	1
N LAS D	004661211	LAS 16 D - LAS 63 D	56	1

Terminal cover

description	code No.	for use with	weight [g]	packaging [pcs]
PR LAS 16 3p	004660020	LAS 16-LAS 63	93	1
PR LAS 16 4p	004660021	LAS 16-LAS 63	93	1
PR LAS 80 3p	004665061	LAS 80-LAS 125	93	1
PR LAS 80 za 4p	004665064	LAS 80-LAS 125	93	1



ROD LAS Y_R



ROD LAS



SH LAS



4th pole



Auxiliary contact



Earth pole



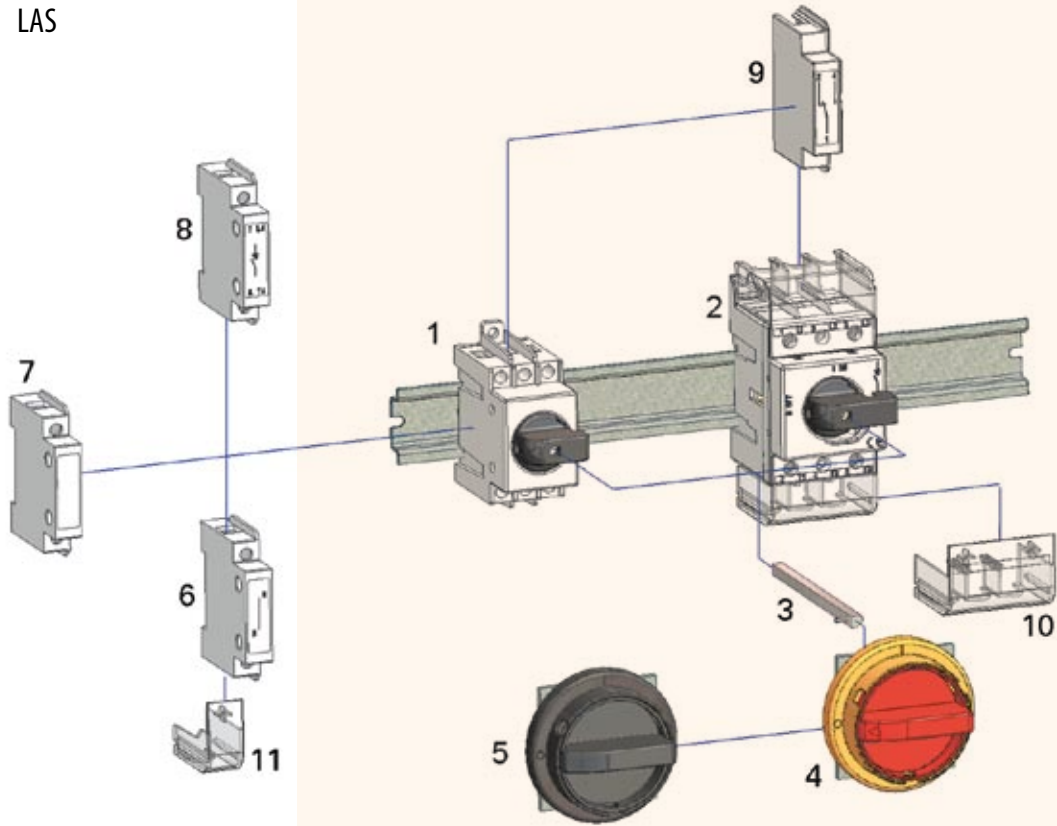
Solid neutral



Terminal covers

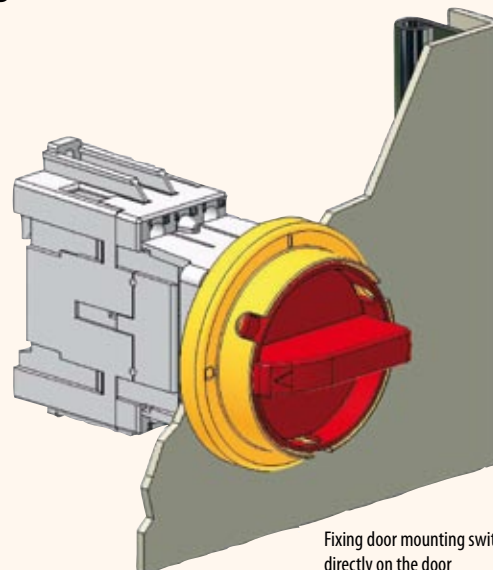
Accessories

LAS



- 1. emergency switch disconnector – direct handle
- 2. emergency switch disconnector – direct handle
- 3. shaft
- 4. emergency door interlock handle (red and yellow)
- 5. door interlock handle (black)
- 6. solid neutral
- 7. earth pole
- 8. 4th pole block
- 9. auxiliary contacts
- 10. terminal cover
- 11. terminal cover for 4th pole

LAS_D



Fixing door mounting switch disconnector directly on the door

Switch disconnectors LA

Generalities

LA is a range of switch disconnectors suitable for making and breaking on load and disconnecting low voltage electrical purposes:

- main switch
- switch for motors
- disconnector
- safety switch

General characteristics

- rated insulation voltage 1000V AC and 1500V DC
- 3 and 4 poles available
- high breaking capacity (AC-22, AC-23, IEC 60947-3)
- high electrical and mechanical endurance
- double break contacts
- self – cleaning contacts
- contact position positively indicated by the handle
- visibility of fixed and moving contacts by means of windows
- independent manual operation

- neutral contract makes earlier and opens later than the phase contacts
- suitable protection to prevent accidental touching of live parts
- casing in self-extinguishing (V0-UL94), low hygroscopic and high mechanical resistance isolating material
- resistant to damp heat (IEC 6068-2)
- wide range of accessories
- rotary front operation by means of: external double insulated handle with door – interlock in ON position, IP65 degree of protection; padlockable with three padlocks in OFF position
- direct handle (padlockable in OFF position on request)

Switch disconnector with door interlock handle

type	code No.	I _n [A]	number of poles	weight [kg]	packaging [pcs]
LA1 /D 160A 3P	004663309	160	3	1,00	1
LA2 /D 250A 3P	004663410	250	3	1,60	1
LA3 /D 400A 3P	004663511	400	3	3,70	1
LA4 /D 630A 3P	004663612	630	3	5,70	1
LA5 /D 1250A 3P	004663713	1250	3	11,20	1
LA1 /D 160A 4P	004664309	160	4	1,10	1
LA2 /D 250A 4P	004664410	250	4	1,60	1
LA3 /D 400A 4P	004664511	400	4	4,00	1
LA4 /D 630A 4P	004664612	630	4	6,20	1
LA5 /D 1250A 4P	004664713	1250	4	12,20	1

Note: Connection screw set attached.





It is possible to assemble switch disconnector with direct handle.
 Example:
 LA1 160A 3P (004662031) + Direct handle LA1 (004665005).

Switch disconnector with direct handle

type	code No.	I_n [A]	number of poles	weight [kg]	packaging [pcs]
LA1 /R 160A 3P	004662131	160	3	1,00	1
LA2 /R 250A 3P	004662132	250	3	1,60	1
LA3 /R 400A 3P	004662133	400	3	3,70	1
LA4 /R 630A 3P	004662134	630	3	5,70	1
LA5 /R 1250A 3P	004663135	1250	3	11,20	1
LA1 /R 160A 4P	004662141	160	4	1,10	1
LA2 /R 250A 4P	004662142	250	4	1,60	1
LA3 /R 400A 4P	004662143	400	4	4,00	1
LA4 /R 630A 4P	004662144	630	4	6,20	1
LA5 /R 1250A 4P	004662145	1250	4	12,20	1

Note: Connection screw set attached.



Switch disconnector without handle

type	code No.	I_n [A]	number of poles	weight [kg]	packaging [pcs]
LA1 160A 3P	004662031	160	3	0,90	1
LA2 250A 3P	004662032	250	3	1,50	1
LA3 400A 3P	004662033	400	3	3,50	1
LA4 630A 3P	004662034	630	3	5,50	1
LA5 1250A 3P	004662035	1250	3	11,0	1
LA1 160A 4P	004662041	160	4	1,00	1
LA2 250A 4P	004662042	250	4	1,60	1
LA3 400A 4P	004662043	400	4	3,80	1
LA4 630A 4P	004662044	630	4	6,00	1
LA5 1250A 4P	004662045	1250	4	12,0	1

Note: 200 mm extension shaft and connection screw set attached to switch.

Note: Accessories on page 100!

Switch disconnectors fuses LAF (NV/NH)

Generalities

LAF is a range of switch disconnectors fuse suitable for making and breaking on load and disconnecting low voltage electrical circuits.

They are used for the following purposes:

- main switch
- switch for motors
- disconnector
- safety switch

They are available in 5 sizes

General characteristics

- rated insulation voltage 1000V AC and 1500 V DC
- 3-4 poles available
- high breaking capacity (AC-22, AC-23, IEC 60947-3)
- high electrical and mechanical endurance
- four break contacts per pole
- self – cleaning contacts
- both fuse terminals are not alive when the switch is in 0 position

- contact position positively indicated by the handle
- visibility of fixed and moving contacts by means of windows
- independent manual operation
- neutral contact open earlier and opens later than the phase contacts
- suitable protection to prevent accidental touching of live parts
- casing in self-extinguishing (V0-UL94), low hygroscopic and high mechanical resistance isolating material.
- resistant to damp heat (IEC 68-2)
- wide range of accessories
- rotary front operation by means of: external double insulated handle with door-interlock in ON position, IP65 degree of protection; padlockable with three padlocks in OFF position.
- direct handle (padlockable in OFF position on request)
- Conformity to standards: IEC 60947-1, IEC 60947-3, IEC 439-1, EN 60439-1, IEC 204-1,

Switch disconnectors fuses (NV/NH) without handle

type	code No.	I_n [A]	number of poles	weight [kg]	packaging [pcs]
LAF1 100A 3p, NH 00C	004666021	100	3	0,787	1
LAF2 125A 3p, NH 00	004666022	125	3	1,687	1
LAF2 160A 3p, NH 00	004666023	160	3	1,687	1
LAF3 250A 3p, NH 1	004666024	250	3	4,592	1
LAF4 400A 3p, NH 2	004666025	400	3	6,592	1
LAF5 630A 3p, NH 3	004666026	630	3	12,580	
LAF1 100A 4p, NH 00C	004666031	100	4	0,887	1
LAF2 125A 4p, NH 00	004666032	125	4	1,787	1
LAF2 160A 4p, NH 00	004666033	160	4	1,787	1
LAF3 250A 4p, NH 1	004666034	250	4	4,892	1
LAF4 400A 4p, NH 2	004666035	400	4	6,992	1
LAF5 630A 4p, NH 3	004666036	630	4	14,080	1

Note: 200 mm extension shaft and connection screw set attached to switch.

Switch disconnectors fuses (NV/NH) with door interlock handle

type	code No.	I_n [A]	number of poles	weight [kg]	packaging [pcs]
LAF1/D 100A 3p, NH 00C	004666001	100	3	1	1
LAF2/D 125A 3p, NH 00	004666002	125	3	1,9	1
LAF2/D 160A 3p, NH 00	004666003	160	3	1,9	1
LAF3/D 250A 3p, NH 1	004666004	250	3	5	1
LAF4/D 400A 3p, NH 2	004666005	400	3	7	1
LAF5/D 630A 3p, NH 3	004666006	630	3	13	1
LAF1/D 100A 4p, NH 00C	004666011	100	4	1,1	1
LAF2/D 125A 4p, NH 00	004666012	125	4	2	1
LAF2/D 160A 4p, NH 00	004666013	160	4	2	1
LAF3/D 250A 4p, NH 1	004666014	250	4	5,3	1
LAF4/D 400A 4p, NH 2	004666015	400	4	7,4	1
LAF5/D 630A 4p, NH 3	004666016	630	4	14,5	1

Note: 200 mm extension shaft and connection screw set attached to switch.



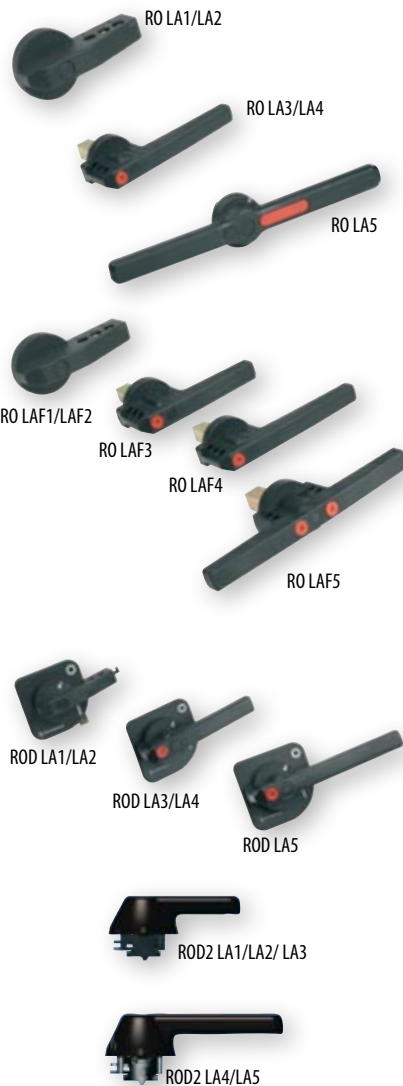


Switch disconnectors fuses (NV/NH) with direct handle

type	code No.	I _n [A]	number of poles	weight [kg]	packaging [pcs]
LAF1/R 100A 3p, NH 00C	004666041	100	3	0,992	1
LAF2/R 125A 3p, NH 00	004666042	125	3	1,935	1
LAF2/R 160A 3p, NH 00	004666043	160	3	1,935	1
LAF3/R 250A 3p, NH 1	004666044	250	3	4,982	1
LAF4/R 400A 3p, NH 2	004666045	400	3	7,072	1
LAF5/R 630A 3p, NH 3	004666046	630	3	13	1
LAF1/R 100A 4p, NH 00C	004666051	100	4	1,092	1
LAF2/R 125A 4p, NH 00	004666052	125	4	2,035	1
LAF2/R 160A 4p, NH 00	004666053	160	4	2,035	1
LAF3/R 250A 4p, NH 2	004666054	250	4	5,282	1
LAF4/R 400A 4p, NH 2	004666055	400	4	7,427	1
LAF5/R 630A 4p, NH 3	004666056	630	4	14,5	1

Note: 200 mm extension shaft and connection screw set attached to switch.

Accessories for LA and LAF



Direct handle for LA

description	code No.		for use with	weight [g]	packaging [pcs]
	LA1	LA2			
RO LA1, black	004665005		LA1	200	1
RO LA2, black	004665006		LA2	200	1
RO LA3, black	004665007		LA3	200	1
RO LA4, black	004665008		LA4	200	1
RO LA5, black	004665009		LA5	200	1

Direct handle for LAF

description	code No.	for use with	weight [g]	packaging [pcs]
RO LAF2, black	004666061	LAF2	248	1
RO LAF3, black	004666062	LAF3	390	1
RO LAF4, black	004666063	LAF4	435	1
RO LAF5, black	004666064	LAF5	420	1

Door interlock handle

description	code No.	for use with	weight [g]	packaging [pcs]
ROD LA34, black	004665102	LA3,4 & LAF3,4	408	1
ROD LA5, black	004665103	LA5 & LAF5	441	1

Door interlock handle with double function of security

description	code No.	for use with	weight [g]	packaging [pcs]
ROD2 LA45, black	004665105	LA4,5 & LAF4,5	441	1

Switch disconnectors fuses LAF (NV/NH)

Door interlock handle, emergency

description	code No.	for use with	weight [g]	packaging [pcs]
ROD LA12_Y_R, red and yellow	004665201	LA1,2 & LAF1,2	213	1
ROD LA34_Y_R, red and yellow	004665202	LA3,4 & LAF3,4	401	1
ROD LA5_Y_R, red and yellow	004665203	LA5 & LAF5	441	1

Door interlock handle with double function of security

description	code No.	for use with	weight [g]	packaging [pcs]
ROD2 LA123_Y_R, red and yellow	004665204	LA1,2,3 & LAF1,2,3	408	1
ROD2 LA45_Y_R, red and yellow	004665205	LA4,5 & LAF4,5	441	1

Auxiliary contact

description	code No. LA1 LA2	for use with	weight [g]	packaging [pcs]
PS LA12, 1NO+1NC	004665055	LA1,2 & LAF1,2	30	1
PS LA4, 1NO+1NC	004665056	LA4 & LAF4	30	1
PS LA35, 1NO+1NC	004665057	LA3,5 & LAF3,5	30	1

Upper terminal cover

type	code No.	for use with	weight [g]	packaging [pcs]
PR UP LA1	004665071	LA1 & LAF1	42	1
PR UP LA2	004665072	LA2 & LAF 2	48	1
PR UP LA3	004665073	LA3 & LAF3	115	1
PR UP LA4	004665074	LA 4 & LAF4	149	1
PR UP LA5	004665075	LA5 & LAF5	272	1

Lower terminal cover

type	code No.	for use with	weight [g]	packaging [pcs]
PR LO LA1	004665081	LA1 & LAF1	42	1
PR LO LA2	004665082	LA2 & LAF 2	47	1
PR LO LA3	004665083	LA3 & LAF3	107	1
PR LO LA4	004665084	LA 4 & LAF4	140	1
PR LO LA5	004665085	LA5 & LAF5	273	1



ROD LA1/LA2_Y_R

ROD LA3/LA4_Y_R



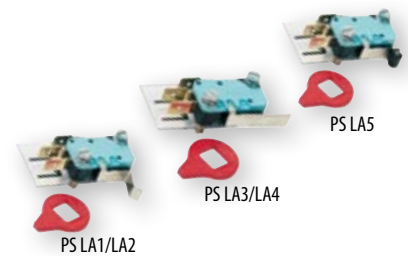
ROD LA5_Y_R



ROD2 LA1/LA2/ LA3_Y_R



ROD2 LA4/LA5_Y_R



PS LA1/LA2

PS LA3/LA4

PS LA5



PR UP LA1/ LA2/ LA3/ LA4/ LA5



PR LO LA1/ LA2/ LA3/ LA4/ LA5



SH LA12, SH LA345



SHE LA12, SHE LA345



PR 1/2/3/4/5



PRF 1/2/3/4/5

Shaft

description	code No.		for use with	weight [g]	packaging [pcs]
	LA1	LA2			
SH LA12, 200 mm	004665014		LA1,2 & LAF1,2	105	1
SH LA345, 200 mm	004665015		LA3,4,5 & LAF3,4,5	190	1

Extension shaft

description	code No.		for use with	weight [g]	packaging [pcs]
	LA1	LA2			
SHE LA12, 200 mm	004665017		LA1,2 & LAF1,2	125	1
SHE LA345, 200 mm	004665018		LA3,4,5 & LAF3,4,5	303	1

Cover shield for LA

type	code No.	for use with	weight [g]	packaging [pcs]
PR1	004666070	LA1	21	1
PR2	004666071	LA2	37	1
PR3	004666072	LA3	87	1
PR4	004666073	LA 4	123	1
PR5	004666074	LA5	187	1

Fuses cover for LAF

type	code No.	for use with	weight [g]	packaging [pcs]
PRF1	004666065	LAF 1	60	1
PRF2	004666066	LAF 2	103	1
PRF3	004666067	LAF 3	162	1
PRF4	004666068	LAF 4	207	1
PRF5	004666069	LAF 5	352	1

Manual change-over switches LAS

Generalities

Change-over switches manually operated suitable for breaking and change-over of two low voltage electrical circuits. They are made by two standard switches mechanically interlocked.

Rotary front operation by means of:

- External double insulated door-interlock handle in I and II position, IP65 degree of protection
- Direct handle standard
- Standards: IEC 60947/1-3

Manual change-over switches LAS (1-0-2)

Rated current
20-125 A

Manual change-over switches LAS 20-40A (1-0-2)

type	code No.	I_n [A]	number of poles	weight [g]	packaging [pcs]
LAS 20 3p COP	004664200	20	3	300	1
LAS 25 3p COP	004664201	25	3	300	1
LAS 32 3p COP	004664202	32	3	300	1
LAS 40 3p COP	004664203	40	3	300	1
LAS 20 4p COP	004664204	20	4	320	1
LAS 25 4p COP	004664205	25	4	320	1
LAS 32 4p COP	004664206	32	4	320	1
LAS 40 4p COP	004664207	40	4	320	1

Manual change-over switches LAS 63-125A (1-0-2)

type	code No.	I_n [A]	number of poles	weight [g]	packaging [pcs]
LAS 63 3p CO	004663105	63	3	608	1
LAS 80 3p CO	004663106	80	3	608	1
LAS 100 3p CO	004663107	100	3	608	1
LAS 125 3p CO	004663108	125	3	608	1
LAS 63 4p CO	004664105	63	4	778	1
LAS 80 4p CO	004664106	80	4	778	1
LAS 100 4p CO	004664107	100	4	778	1
LAS 125 4p CO	004664108	125	4	778	1



Accessories for manual change-over switches LAS (1-0-2)

Door interlock handle

description	code No.	for use with	weight [g]	packaging [pcs]
ROD LAS CO B, black	004664109	LAS (1-0-2) 63-125	46	1

Shaft

description	code No.	for use with	weight [g]	packaging [pcs]
SH LAS 100, 100mm	004665010	LAS (1-0-2) 63-125	8	1
SH LAS 200, 200mm	004665011	LAS (1-0-2) 63-125	14	1

4th pole

description	code No.	for use with	weight [g]	packaging [pcs]
P4 LAS 80	004665021	LAS (1-0-2) 63-125	98	1

Auxiliary contact

description	code No.	for use with	weight [g]	packaging [pcs]
PS LAS 80, 1NO+1NC, screw terminals	004665051	LAS (1-0-2) 63-125	38	1



ROD LAS CO B



SH LAS 100/200



P4 LAS 80



PS LAS 80

Manual change-over switches LA

Generalities

Change-over manually operated switches are suitable for breaking and permutating two low voltage electrical circuits. They are made by two standard switches mechanically interlocked. The arrangement of two switches mounted one on top of the other makes this execution particularly compact and easy to connect to cables and busbars.

General characteristics

- 3 positions "1", "0" and "2"
- visibility of fixed and moving contacts by means of windows
- independent fast action operation
- double break contacts

- high breaking capacity (AC-23A IEC60947-3)
- high electrical and mechanical endurance
- resistant to damp heat (IEC 68-2)
- wide range of accessories
- rotary front operation by means of
- external double insulated handle with door-interlock in "1" and "2" position
- IP65 degree of protection; padlockable with up to three padlocks in "0" position

Manual change-over compact switches LA (1-0-2)

Rated current
160-2500 A



Manual change-over compact switches LA (1-0-2) with door interlock handle

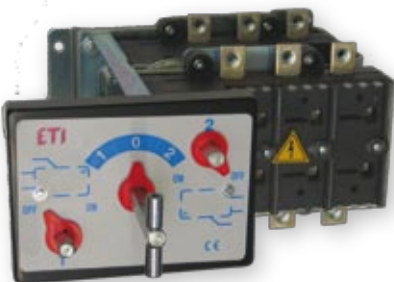
type	code No.	I _n [A]	number of poles	packaging [pcs]
LA1/D 160A 3p CO	004667001	160	3	1
LA2/D 250A 3p CO	004667002	250	3	1
LA3/D 400A 3p CO	004667003	400	3	1
LA4/D 630A 3p CO	004667004	630	3	1
LA4/D 800A 3p CO	004667005	800	3	1
LA5/D 1250A 3p CO	004667006	1250	3	1
LA5/D 1600 3p CO	004667007	1600	3	1
LA5/D 2500A 3p CO	004667008	2500	3	1
LA1/D 160A 4p CO	004667011	160	4	1
LA2/D 250A 4p CO	004667012	250	4	1
LA3/D 400A 4p CO	004667013	400	4	1
LA4/D 630A 4p CO	004667014	630	4	1
LA4/D 800A 4p CO	004667015	800	4	1
LA5/D 1250A 4p CO	004667016	1250	4	1
LA5/D 1600 4p CO	004667017	1600	4	1
LA5/D 2500A 4p CO	004667018	2500	4	1

Note: Connection screw set attached.

Manual change-over compact switches LA (1-0-2) without handle

type	code No.	I _n [A]	number of poles	packaging [pcs]
LA1 160A 3p CO	004667101	160	3	1
LA2 250A 3p CO	004667102	250	3	1
LA3 400A 3p CO	004667103	400	3	1
LA4 630A 3p CO	004667104	630	3	1
LA4 800A 3p CO	004667105	800	3	1
LA5 1250A 3p CO	004667106	1250	3	1
LA5 1600 3p CO	004667107	1600	3	1
LA5 2500A 3p CO	004667108	2500	3	1
LA1 160A 4p CO	004667111	160	4	1
LA2 250A 4p CO	004667112	250	4	1
LA3 400A 4p CO	004667113	400	4	1
LA4 630A 4p CO	004667114	630	4	1
LA4 800A 4p CO	004667115	800	4	1
LA5 1250A 4p CO	004667116	1250	4	1
LA5 1600 4p CO	004667117	1600	4	1
LA5 2500A 4p CO	004667118	2500	4	1

Note: Connection screw set attached.



Manual change-over horizontal switches LA (1-0-2) with door interlock handle

type	code No.	I _n [A]	number of poles	packaging [pcs]
LA1/D 160A 3p COH	004667021	160	3	1
LA2/D 250A 3p COH	004667022	250	3	1
LA3/D 400A 3p COH	004667023	400	3	1
LA4/D 630A 3p COH	004667024	630	3	1
LA4/D 800A 3p COH	004667025	800	3	1
LA5/D 1250A 3p COH	004667026	1250	3	1
LA5/D 1600 3p COH	004667027	1600	3	1
LA5/D 2500A 3p COH	004667028	2500	3	1
LA1/D 160A 4p COH	004667031	160	4	1
LA2/D 250A 4p COH	004667032	250	4	1
LA3/D 400A 4p COH	004667033	400	4	1
LA4/D 630A 4p COH	004667034	630	4	1
LA4/D 800A 4p COH	004667035	800	4	1
LA5/D 1250A 4p COH	004667036	1250	4	1
LA5/D 1600 4p COH	004667037	1600	4	1
LA5/D 2500A 4p COH	004667038	2500	4	1

Note: Connection screw set attached.

Manual change-over horizontal switches LA (1-0-2) without handle

type	code No.	I _n [A]	number of poles	packaging [pcs]
LA1 160A 3p COH	004667041	160	3	1
LA2 250A 3p COH	004667042	250	3	1
LA3 400A 3p COH	004667043	400	3	1
LA4 630A 3p COH	004667044	630	3	1
LA4 800A 3p COH	004667045	800	3	1
LA5 1250A 3p COH	004667046	1250	3	1
LA5 1600 3p COH	004667047	1600	3	1
LA5 2500A 3p COH	004667048	2500	3	1
LA1 160A 4p COH	004667051	160	4	1
LA2 250A 4p COH	004667052	250	4	1
LA3 400A 4p COH	004667053	400	4	1
LA4 630A 4p COH	004667054	630	4	1
LA4 800A 4p COH	004667055	800	4	1
LA5 1250A 4p COH	004667056	1250	4	1
LA5 1600 4p COH	004667057	1600	4	1
LA5 2500A 4p COH	004667058	2500	4	1

Note: Connection screw set attached.



Accessories



Door interlock handle				
description	code No.	for use with	weight [g]	packaging [pcs]
ROD LA COH1	004667201	LA1 COH	408	1
ROD LA C0123	004667202	LA2,3 COH & LA1,2,3 CO	408	1
ROD LA C04	004667203	LA4 COH & LA4 CO	441	1
ROD LA C05	004667204	LA5 COH & LA5 CO	930	1

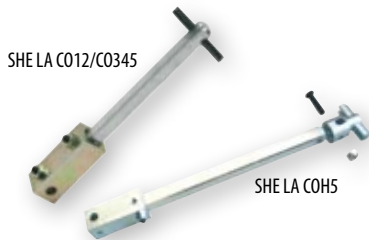


Direct handle				
description	code No.	for use with	weight [g]	packaging [pcs]
RO LA COH1	004667205	LA1 COH	429	1
RO LA C012	004667206	LA1,2 COH & LA1,2 CO	445	1
RO LA C03	004667207	LA3 COH & LA3 CO	520	1
RO LA C04	004667208	LA4 COH & LA4 CO	560	1
RO LA C05 (35)	004667209	LA5 CO 1250A	610	1
RO LA COH5	004667210	LA5 COH & LA5 CO 1600A, 2500A	1.100	1

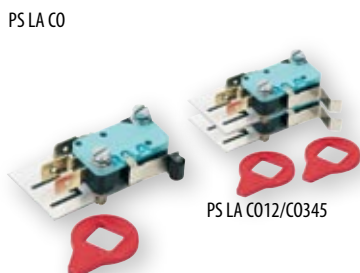
Note: Cover shield attached



Door interlock handle with key lock				
description	code No.	for use with	weight [g]	packaging [pcs]
RODK LA C0123	004667211	LA1,2,3 COH & LA1,2,3 CO	420	1
RODK LA C04	004667212	LA4 COH & LA4 CO	440	1
RODK LA C05 (35)	004667213	LA5 CO 1250A	610	1
RODK LA C05H	004667214	LA5 COH & LA5 CO 1600A, 2500A	930	1



Extension shaft				
description	code No.		weight [g]	packaging [pcs]
	LA1	LA2		
SHE LA C012, 200mm	004667215	LA1,2 COH & LA1,2 CO	135	1
SHE LA C0345, 200mm	004667216	LA3,4 COH & LA3,4,5 CO	303	1
SHE LA COH5, 200mm	004667217	LA5 COH	390	1



Auxiliary contacts				
description	code No.		weight [g]	packaging [pcs]
	LA1	LA2		
PS LA CO, 1NO+1NC	004667218	LA1,2,3,4,5 COH & LA1,2,3,4,5 CO	30	1
PS2 LA C012, 2NO+2NC	004667219	LA1,2 COH & LA1,2 CO	60	1
PS2 LA C0345, 2NO+2NC	004667220	LA3,4,5 COH & LA3,4,5 CO	60	1

Motorized change-over switches LA (1-0-2)

Generalities

The three and four pole change-over switches, with motorized operation, allow remote control of change-over/breaking/disconnection under load of power circuits in low voltage systems. Motorized change-over switches are made by means of 2 switch disconnectors mechanically interlocked.

General characteristic

- automatic under-load change-over (AC22, AC23) from and to any of positions "1,0,2"
- both electrical and manual (emergency change-over)
- transfer function with direct transition from position "1" to position "2" and viceversa.
- front display of positions "1","0","2" is provided

- safety: locking by padlock preventing any electrical or manual operation
- external signalisation of positions "1","0" and "2" by a clean contact (no voltage supply)
- quick operating time from pos. "1" to "2" and viceversa
- easy and fast electrical connections by means of terminal blocks of quick connection type
- power supply voltage 24V DC and 230V AC
- compact dimensions
- selection of operating logic by a micro switch for the following logic:
 - impulse (150 ms min)
 - contactor (maintained contact)
- conformity to standards: IEC 60947-1, IEC 60947-3, IEC 439-1, IEC 204-1

MO change-over switches LA (1-0-2)

type	code No.	I _n [A]	Power supply voltage	number of poles	weight [kg]	packaging [pcs]
LA2 MO 250A 3p CO 230VAC	004667321	250	220V AC	3	5,5	1
LA3 MO 400A 3p CO 230VAC	004667322	400	220V AC	3	17	1
LA4 MO 630A 3p CO 230VAC	004667323	630	220V AC	3	22	1
LA4 MO 800A 3p CO 230VAC	004667324	800	220V AC	3	22	1
LA5 MO 1250A 3p CO 230VAC	004667325	1250	220V AC	3	37	1
LA2 MO 250A 4p CO 230VAC	004667331	250	220V AC	4	6	1
LA3 MO 400A 4p CO 230VAC	004667332	400	220V AC	4	18	1
LA4 MO 630A 4p CO 230VAC	004667333	630	220V AC	4	24	1
LA4 MO 800A 4p CO 230VAC	004667334	800	220V AC	4	24	1
LA5 MO 1250A 4p CO 230VAC	004667335	1250	220V AC	4	37	1
LA2 MO 250A 3p CO 24DC	004667341	250	24V DC	3	5,5	1
LA3 MO 400A 3p CO 24DC	004667342	400	24V DC	3	17	1
LA4 MO 630A 3p CO 24DC	004667343	630	24V DC	3	22	1
LA4 MO 800A 3p CO 24DC	004667344	800	24V DC	3	22	1
LA5 MO 1250A 3p CO 24DC	004667345	1250	24V DC	3	37	1
LA2 MO 250A 4p CO 24DC	004667351	250	24V DC	4	6	1
LA3 MO 400A 4p CO 24DC	004667352	400	24V DC	4	18	1
LA4 MO 630A 4p CO 24DC	004667353	630	24V DC	4	24	1
LA4 MO 800A 4p CO 24DC	004667354	800	24V DC	4	24	1
LA5 MO 1250A 4p CO 24DC	004667355	1250	24V DC	4	37	1
LA5 MO 1600A 3P CO DUO	004667361	1600	24 DC and 110/220V AC	3	51	1
LA5 MO 2500A 3P CO DUO	004667362	2500	24 DC and 110/220V AC	3	70	1
LA5 MO 1600A 4P CO DUO	004667371	1600	24 DC and 110/220V AC	4	53	1
LA5 MO 2500A 4P CO DUO	004667372	2500	24 DC and 110/220V AC	4	74	1

Note: Handle for emergency operation and connection screw set are supplied with the change-over switch

