

ETISIG

Actuators and indicators	2
Push button stations and enclosures	12
Technical data	15

ACTUATORS AND INDICATORS



ACTUATORS AND INDICATORS

Actuators and Indicators are used in control circuits for direct and remote management of operations, vital for Industries, Commercial Establishments and Domestic Installations. The range offers reliability, critical to operational control, together with flexibility so important to Panel Assemblers, with the standardised modular construction. The Actuators and Indicators together with Contact Blocks, Bulb Holders and Integral Indicators and Actuators conform to international standards and are certified to carry the following applicable International Certification Marks.

Advantages:

- All Actuators and Indicators except Integral Indicators and LED Indicators are supplied with First Row Clip as shown.
- The Actuator and Indicator fronts are IP65 and IP67 with shroud, except Illuminated Symmetric Head, Lever Head, Tip Head and Lock & Key types due to their inherent construction.
- The key is withdrawable in 'O' position for Lock & Key Head Actuators as a standard feature. Key withdrawable in other positions is available on request.
- Symmetrical Head, Lever Head and Lock & Key Actuators are supplied with antirotation ring (for mounting, see drill plan in continuation).
- For Projecting Head "Push-Push" Actuator, cascading with Side Row Clip or Second Row Clip is not recommended.
- The Integral Indicators are suitable for 6V/12V/24V/48V/110V/240V AC/DC supply and for 2.6W max. bulb.
- The Indicators and Illuminated Actuators do not include bulbs except LED Integral Indicators which include LED light source.

Non-illuminated actuators



Push button actuators - flush head

type	colour	code No.	weight [g]	packaging [pcs]
HD15C1	Red	004770001	0,02	10/250
HD15C2	Green	004770002	0,02	10/250
HD15C3	Black	004770003	0,02	10/250
HD15C4	Yellow	004770004	0,02	10/250
HD15C5	White	004770005	0,02	10/250
HD15C6	Blue	004770006	0,02	10/250
HD15C7	Orange	004770007	0,02	10/250

Push button actuators - projecting head push function

type	colour	code No.	weight [g]	packaging [pcs]
HD45C1	Red	004770008	0,022	10/160
HD45C2	Green	004770009	0,022	10/160
HD45C3	Black	004770010	0,022	10/160
HD45C4	Yellow	004770011	0,022	10/160
HD45C5	White	004770012	0,022	10/160
HD45C6	Blue	004770013	0,022	10/160
HD45C7	Orange	004770014	0,022	10/160

Push button actuators - projecting head push-push function

type	colour	code No.	weight [g]	packaging [pcs]
HF45C1	Red	004770015	0,022	10/160
HF45C2	Green	004770016	0,022	10/160
HF45C3	Black	004770017	0,022	10/160
HF45C4	Yellow	004770018	0,022	10/160
HF45C5	White	004770019	0,022	10/160
HF45C6	Blue	004770020	0,022	10/160
HF45C7	Orange	004770021	0,022	10/160

Actuators and indicators

Push button actuators - mushroom head 40mm

type	colour	code No.	weight [g]	packaging [pcs]
HD55C1	Red	004770022	0,029	10/160



Push button actuators - mushroom head 40mm, push-turn function

type	colour	code No.	weight [g]	packaging [pcs]
HH55C1	Red	004770023	0,029	10/160



Push button actuators - mushroom head 40mm, push-pull function

type	colour	code No.	weight [g]	packaging [pcs]
HG55B1	Red	004770024	0,054	8/128



Push button actuators - mushroom head 40mm, memory push function

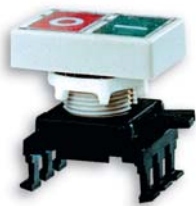
type	colour	code No.	weight [g]	packaging [pcs]
HU55B1	Red	004770025	0,051	8/128



Push button actuators - mushroom head lock and key

type	colour	code No.	weight [g]	packaging [pcs]
HQ55C1	Red	004770026	0,056	10/160





Push button actuators - twin-touch flush (white)

type	colour	code No.	weight [g]	packaging [pcs]
HD15G0	ON - Green	004770027	0,024	10/250
	OFF - Red			

Push button actuators - twin-touch flush (black)

type	colour	code No.	weight [g]	packaging [pcs]
HD15G3	ON - Green	004770028	0,026	9/234
	OFF - Red			

Compact integral actuators NO

type	colour	code No.	weight [g]	packaging [pcs]
TN11A2	Red	004770051	0,016	20/320
TN12A2	Green	004770052	0,016	20/320
TN14A2	Yellow	004770053	0,016	20/320
TN15A2	White	004770054	0,016	20/320
TN16A2	Blue	004770055	0,016	20/320
TN17A2	Orange	004770056	0,016	20/320
TN13A2	Black	004770057	0,016	20/320

Compact integral actuators NC

type	colour	code No.	weight [g]	packaging [pcs]
TN11B2	Red	004770058	0,016	20/320
TN12B2	Green	004770059	0,016	20/320
TN14B2	Yellow	004770060	0,016	20/320
TN15B2	White	004770061	0,016	20/320
TN16B2	Blue	004770062	0,016	20/320
TN17B2	Orange	004770063	0,016	20/320
TN13B2	Black	004770064	0,016	20/320

Compact integral actuators NO+NC

type	colour	code No.	weight [g]	packaging [pcs]
TN11C2	Red	004770065	0,016	20/320
TN12C2	Green	004770066	0,016	20/320
TN14C2	Yellow	004770067	0,016	20/320
TN15C2	White	004770068	0,016	20/320
TN16C2	Blue	004770069	0,016	20/320
TN17C2	Orange	004770070	0,016	20/320
TN13C2	Black	004770071	0,016	20/320



Selector actuator - symmetric head, 2-position

type	colour	code No.	function	weight [g]	packaging [pcs]
HK65C1	Red	004770081	Non spring return 0-1, 30°	0,022	10/160
HR65C1		004770082	Non spring return 0-1, 60°	0,022	10/160
HT65C1		004770083	Non spring return 0-1, 90°	0,022	10/160
HI65C1		004770084	Spring return 0-1, 30°	0,022	10/160
HK65C3	Black	004770089	Non spring return 0-1, 30°	0,022	10/160
HR65C3		004770090	Non spring return 0-1, 60°	0,022	10/160
HT65C3		004770091	Non spring return 0-1, 90°	0,022	10/160
HI65C3		004770092	Spring return 0-1, 30°	0,022	10/160
HK65C5	White	004770097	Non spring return 0-1, 30°	0,022	10/160
HR65C5		004770098	Non spring return 0-1, 60°	0,022	10/160
HT65C5		004770099	Non spring return 0-1, 90°	0,022	10/160
HI65C5		004770100	Spring return 0-1, 30°	0,022	10/160


Selector actuator - symmetric head, 3-position

type	colour	code No.	function	weight [g]	packaging [pcs]
HL65C1	Red	004770085	Non spring return 1-0-2, 30°	0,022	10/160
HJ65C1		004770086	Spring return 1-0-2, 30°	0,022	10/160
HM65C1		004770087	Spring return, from L.H. 1-0-2, 30°	0,022	10/160
HN65C1		004770088	Spring return, from R.H. 1-0-2, 30°	0,022	10/160
HL65C3	Black	004770093	Non spring return 1-0-2, 30°	0,022	10/160
HJ65C3		004770094	Spring return 1-0-2, 30°	0,022	10/160
HM65C3		004770095	Spring return, from L.H. 1-0-2, 30°	0,022	10/160
HN65C3		004770096	Spring return, from R.H. 1-0-2, 30°	0,022	10/160
HL65C5	White	004770101	Non spring return 1-0-2, 30°	0,022	10/160
HJ65C5		004770102	Spring return 1-0-2, 30°	0,022	10/160
HM65C5		004770103	Spring return, from L.H. 1-0-2, 30°	0,022	10/160
HN65C5		004770104	Spring return, from R.H. 1-0-2, 30°	0,022	10/160


Selector actuators - lock and key head rotary type, 2-position

type	colour	code No.	function	weight [g]	packaging [pcs]
HK85C3	Black	004770105	Non spring return 0-1, 30°	0,05	10/160
HR85C3		004770106	Non spring return 0-1, 60°	0,05	10/160
HT85C3		004770107	Non spring return 0-1, 90°	0,05	10/160
HI85C3		004770108	Spring return 0-1, 30°	0,05	10/160


Selector actuators - lock and key head rotary type, 3-position

type	colour	code No.	function	weight [g]	packaging [pcs]
HL85C3	Black	004770109	Non spring return 1-0-2, 30°	0,05	10/160
HJ85C3		004770110	Spring return 1-0-2, 30°	0,05	10/160
HM85C3		004770111	Spring return, from L.H. 1-0-2, 30°	0,05	10/160
HN85C3		004770112	Spring return, from R.H. 1-0-2, 30°	0,05	10/160


Selector actuators - lock and key head push turn type

type	colour	code No.	function	weight [g]	packaging [pcs]
HH85C3	Black	004770113	"Pritisni-obrni"	0,053	10/160



Illuminated actuators



Push button actuators - flush head

type	colour	code No.	weight [g]	packaging [pcs]
HD16C1	Red	004770131	0,02	10/250
HD16C2	Green	004770132	0,02	10/250
HD16C4	Yellow	004770133	0,02	10/250
HD16C5	White	004770134	0,02	10/250
HD16C6	Blue	004770135	0,02	10/250
HD16C7	Orange	004770136	0,02	10/250
HD16C8	Colourless	004770137	0,02	10/250



Push button actuators - projecting head push function

type	colour	code No.	weight [g]	packaging [pcs]
HD46C1	Red	004770138	0,02	10/160
HD46C2	Green	004770139	0,02	10/160
HD46C4	Yellow	004770140	0,02	10/160
HD46C5	White	004770141	0,02	10/160
HD46C6	Blue	004770142	0,02	10/160
HD46C7	Orange	004770143	0,02	10/160
HD46C8	Colourless	004770144	0,02	10/160



Push button actuators - projecting head push-push function

type	colour	code No.	weight [g]	packaging [pcs]
HF46C1	Red	004770145	0,02	10/160
HF46C2	Green	004770146	0,02	10/160
HF46C4	Yellow	004770147	0,02	10/160
HF46C5	White	004770148	0,02	10/160
HF46C6	Blue	004770149	0,02	10/160
HF46C7	Orange	004770150	0,02	10/160
HF46C8	Colourless	004770151	0,02	10/160



Push button actuators - twin-touch flash

type	colour	code No.	weight [g]	packaging [pcs]
HD16G8	ON – Green OFF – Red Colourless pilot light	004770152	0,026	9/234

Selector actuator - symmetric head, 2-position

type	colour	code No.	function	weight [g]	packaging [pcs]
HK66C1	Red	004770153	Non spring return 0-1, 30°	0,022	10/160
HR66C1		004770154	Non spring return 0-1, 60°	0,022	10/160
HT66C1		004770155	Non spring return 0-1, 90°	0,022	10/160
HI66C1		004770156	Spring return 0-1, 30°	0,022	10/160
HK66C2	Green	004770161	Non spring return 0-1, 30°	0,022	10/160
HR66C2		004770162	Non spring return 0-1, 60°	0,022	10/160
HT66C2		004770163	Non spring return 0-1, 90°	0,022	10/160
HI66C2		004770164	Spring return 0-1, 30°	0,022	10/160
HK66C5	Opal	004770169	Non spring return 0-1, 30°	0,022	10/160
HR66C5		004770170	Non spring return 0-1, 60°	0,022	10/160
HT66C5		004770171	Non spring return 0-1, 90°	0,022	10/160
HI66C5		004770172	Spring return 0-1, 30°	0,022	10/160
HK66C8	Colourless	004770177	Non spring return 0-1, 30°	0,022	10/160
HR66C8		004770178	Non spring return 0-1, 60°	0,022	10/160
HT66C8		004770179	Non spring return 0-1, 90°	0,022	10/160
HI66C8		004770180	Spring return 0-1, 30°	0,022	10/160


Selector actuator - symmetric head, 3-position

type	colour	code No.	function	weight [g]	packaging [pcs]
HL66C1	Red	004770157	Non spring return 1-0-2, 30°	0,022	10/160
HJ66C1		004770158	Spring return 1-0-2, 30°	0,022	10/160
HM66C1		004770159	Spring return, from L.H. 1-0-2, 30°	0,022	10/160
HN66C1		004770160	Spring return, from R.H. 1-0-2, 30°	0,022	10/160
HL66C2	Green	004770165	Non spring return 1-0-2, 30°	0,022	10/160
HJ66C2		004770166	Spring return 1-0-2, 30°	0,022	10/160
HM66C2		004770167	Spring return, from L.H. 1-0-2, 30°	0,022	10/160
HN66C2		004770168	Spring return, from R.H. 1-0-2, 30°	0,022	10/160
HL66C5	Opal	004770173	Non spring return 1-0-2, 30°	0,022	10/160
HJ66C5		004770174	Spring return 1-0-2, 30°	0,022	10/160
HM66C5		004770175	Spring return, from L.H. 1-0-2, 30°	0,022	10/160
HN66C5		004770176	Spring return, from R.H. 1-0-2, 30°	0,022	10/160
HL66C8	Colourless	004770181	Non spring return 1-0-2, 30°	0,022	10/160
HJ66C8		004770182	Spring return 1-0-2, 30°	0,022	10/160
HM66C8		004770183	Spring return, from L.H. 1-0-2, 30°	0,022	10/160
HN66C8		004770184	Spring return, from R.H. 1-0-2, 30°	0,022	10/160



Indicators



Indicator without trim collar (plain lens)				
type	colour	code No.	weight [g]	packaging [pcs]
HB08F1	Red	004770201	0,016	10/250
HB08F2	Green	004770202	0,016	10/250
HB08F4	Yellow	004770203	0,016	10/250
HB08F5	Opal	004770204	0,016	10/250
HB08F6	Blue	004770205	0,016	10/250
HB08F7	Orange	004770206	0,016	10/250
HB08F8	Colourless	004770207	0,016	10/250

Indicator without trim collar (ribbed lens)				
type	colour	code No.	weight [g]	packaging [pcs]
HB07F1	Red	004770208	0,016	10/250
HB07F2	Green	004770209	0,016	10/250
HB07F4	Yellow	004770210	0,016	10/250
HB07F5	Opal	004770211	0,016	10/250
HB07F6	Blue	004770212	0,016	10/250
HB07F7	Orange	004770213	0,016	10/250
HB07F8	Colourless	004770214	0,016	10/250

Compact integral indicators with ribbed lens, black body, without trim collar*					
type	colour	voltage	code No.	weight [g]	packaging [pcs]
TL01T1	Red	12V AC/DC	004770221	0,019	20/320
TL02T1	Green		004770222	0,019	20/320
TL04T1	Yellow		004770223	0,019	20/320
TL06T1	Blue		004770224	0,019	20/320
TL07T1	Orange		004770225	0,019	20/320
TL05T1	Opal	24V AC/DC	004770226	0,019	20/320
TL01U1	Red		004770227	0,019	20/320
TL02U1	Green		004770228	0,019	20/320
TL04U1	Yellow		004770229	0,019	20/320
TL06U1	Blue		004770230	0,019	20/320
TL07U1	Orange	48V AC/DC	004770231	0,019	20/320
TL05U1	Opal		004770232	0,019	20/320
TL01V1	Red		004770233	0,019	20/320
TL02V1	Green		004770234	0,019	20/320
TL04V1	Yellow		004770235	0,019	20/320
TL06V1	Blue	110V AC/DC	004770236	0,019	20/320
TL07V1	Orange		004770237	0,019	20/320
TL05V1	Opal		004770238	0,019	20/320
TL01W1	Red		004770239	0,019	20/320
TL02W1	Green		004770240	0,019	20/320
TL04W1	Yellow	240V AC	004770241	0,019	20/320
TL06W1	Blue		004770242	0,019	20/320
TL07W1	Orange		004770243	0,019	20/320
TL05W1	Opal		004770244	0,019	20/320
TL01X1	Red		004770245	0,019	20/320
TL02X1	Green	240V AC	004770246	0,019	20/320
TL04X1	Yellow		004770247	0,019	20/320
TL06X1	Blue		004770248	0,019	20/320
TL07X1	Orange		004770249	0,019	20/320
TL05X1	Opal		004770250	0,019	20/320

* all above indicators are for incandescent BA9S lamps.
The standard supply does not include lamps and they can be ordered separately.

LED integral indicators with ribbed lens, white body, without trim collar*

type	colour	voltage	code No.	weight [g]	packaging [pcs]
HS03F1T1	Red	12V AC/DC	004770271	0,024	20/320
HS03F2T1	Green		004770272	0,024	20/320
HS03F4T1	Yellow		004770273	0,024	20/320
HS03F6T1	Blue		004770274	0,024	20/320
HS03F7T1	Orange		004770275	0,024	20/320
HS03F5T1	Opal		004770276	0,024	20/320
HS03F1U1	Red	24V AC/DC	004770277	0,024	20/320
HS03F2U1	Green		004770278	0,024	20/320
HS03F4U1	Yellow		004770279	0,024	20/320
HS03F6U1	Blue		004770280	0,024	20/320
HS03F7U1	Orange		004770281	0,024	20/320
HS03F5U1	Opal		004770282	0,024	20/320
HS03F1V1	Red	48V AC/DC	004770283	0,024	20/320
HS03F2V1	Green		004770284	0,024	20/320
HS03F4V1	Yellow		004770285	0,024	20/320
HS03F6V1	Blue		004770286	0,024	20/320
HS03F7V1	Orange		004770287	0,024	20/320
HS03F5V1	Opal		004770288	0,024	20/320
HS03F1W1	Red	110V AC	004770289	0,024	20/320
HS03F2W1	Green		004770290	0,024	20/320
HS03F4W1	Yellow		004770291	0,024	20/320
HS03F6W1	Blue		004770292	0,024	20/320
HS03F7W1	Orange		004770293	0,024	20/320
HS03F5W1	Opal		004770294	0,024	20/320
HS03F1X1	Red	240V AC	004770295	0,024	20/320
HS03F2X1	Green		004770296	0,024	20/320
HS03F4X1	Yellow		004770297	0,024	20/320
HS03F6X1	Blue		004770298	0,024	20/320
HS03F7X1	Orange		004770299	0,024	20/320
HS03F5X1	Opal		004770300	0,024	20/320

* All above indicators are for incandescent BA9S lamps.

The standard supply does not include lamps and they can be ordered separately.



Accessories



Modular contact blocks

type	function	code No.	weight [g]	packaging [pcs]
HC61A2	Contact block NO	004770311	0,010	20/1200
HC61B2	Contact block NC	004770312	0,010	20/1200
HC71C2	Assembly module for indicators or illuminated actuators with transformer block	004770313	0,010	20/1200

Modular bulb holder blocks for BA9S bulbs

type	function	code No.	weight [g]	packaging [pcs]
HC61R1	Direct supply to bulb, 2,6W max	004770314	0,011	20/700
HC61S1	6V, 2W bulb for 6V AC/DC supply	004770315	0,011	20/700
HC61T1	12V, 2W bulb for 12V AC/DC supply	004770316	0,011	20/700
HC61U1	24V, 2W bulb for 24V AC/DC supply	004770317	0,011	20/700
HC61V1	48V, 2W bulb for 48V AC/DC supply	004770318	0,011	20/700
HC61W1	130V, 2W bulb for 110V AC/DC supply	004770319	0,011	20/700
HC61X1	With series R & diode for 130V, 20mA bulb and 240V AC supply	004770320	0,011	20/700

Clips for modular blocks

type	function	code No.	weight [g]	packaging [pcs]
HC922002	3 module first row clip	004770321	0,008	350/700
HE102000	1 module first row clip	004770322	0,004	400/800
HC122030	3 module second row clip (vertical cascading)	004770323	0,002	500/1000
HC929002	Side row clip (horizontal cascading)	004770891	0,004	700

Fixing device

type	function	code No.	weight [g]
HH192000		004770325	0,030

Lamp extractor

type	function	code No.	weight [g]
HH157000	004770326	0,010	350/700

Filament lamps BA9S - 11x28max.

type	voltage	code No.	weight [g]	packaging [pcs]
HCS50001	6V, 2W VAC/DC	004770331	0,002	100/3000
HCS50002	12V, 2W VAC/DC	004770332	0,002	100/3000
HCS50003	24V, 2W VAC/DC	004770333	0,002	100/3000
HCS50004	48V, 2W VAC/DC	004770334	0,002	100/3000
HCS50005	130V, 20mA suitable for 110V AC/DC (or 240V AC with series resistor and diode)	004770335	0,002	100/3000

Antirotation ring

type	code No.	weight [g]	packaging [pcs]
HH180004	004770341	0,001	500/10000

Transparent shroud

type	code No.	weight [g]	packaging [pcs]
HH150100	004770342	0,002	200/1000

Adaptor ring (for 30 to 22mm panel cutout conversion)

type	colour, type	code No.	weight [g]	packaging [pcs]
HH180000	Gray, front	004770343	0,001	500/4000
HH180001	Gray, rear	004770344	0,001	500/4000
HH182004	Black, front	004770345	0,001	500/4000
HH182005	Black, rear	004770346	0,001	500/4000
HH196006	Chrome plated, front	004770347	0,001	500/4000
HH196007	Chrome plated, rear	004770348	0,001	500/4000

Blanking plugs

type	colour, type	code No.	weight [g]	packaging [pcs]
HH180002	Gray, convex	004770351	0,004	500/2000
HH180003	Gray, flat	004770352	0,004	500/2000
HH182008	Black, convex	004770353	0,004	500/2000
HH182009	Black, flat	004770354	0,004	500/2000
HH196010	Chrome plated, convex	004770355	0,004	500/2000
HH196011	Chrome plated, flat	004770356	0,004	500/2000



PUSH BUTTON STATIONS AND ENCLOSURES

ETISIG



Single stations							
type	description	function	legend	scheme	code No.	weight [g]	packaging [pcs]
JAA 10000	Single station, all grey, spring return actuator, flush head	OFF (Red)		 11 12	004770361	0,106	2/44
JAB 20000	Single station, all grey, spring return actuator, flush head	ON (Green)		 23 24	004770362	0,106	2/44
JAC 50000	Single station, all grey, spring return actuator, illuminated flush head (R+D), supply 240V, BA9S bulb, 130V 20mA	OFF (Red)		 11 12	004770363	0,114	2/44
JAD 60000	Single station, all grey, spring return actuator, illuminated flush head (R+D), supply 240V, BA9S bulb, 130V 20mA	ON (Green)		 23 24	004770364	0,114	2/44
JAE 10000	Single station, yellow cover, grey base, spring return actuator, 40mm mushroom head	Emergency stop, Red		 11 12	004770365	0,116	2/44
JAF 10000	Single station, yellow cover, grey base, maintained contact actuator, 40mm mushroom head, push-turn, turn to release	Emergency stop, Red		 11 12	004770366	0,116	2/44
JAG 10000	Single station, yellow cover, grey base, maintained contact actuator, 40mm mushroom head 'lock & key	Emergency stop, Red		 11 12	004770369	0,142	2/44
JAH20000	Single station, all grey, selector switch, 2 position symmetric head or lock & key head rotary type	OFF/ON, Black		 23 24	004770370	1,108	2/44
JAI 20000	Single station, all grey, selector switch, 2 position symmetric head or lock & key head rotary type	OFF/ON, Black		 23 24	004770371	0,136	2/44

Note: Illuminated push button stations are supplied without bulbs.



Two stations							
type	description	function	legend	scheme	code No.	weight [g]	packaging [pcs]
JBB2F 100	Two station, all grey, spring return flush and maintained contact actuator, 40mm mushroom head push-turn	ON (Green)		 23 24	004770367	0,195	1/25
		OFF (Red)		 11 12			
JBB2A 100	Two station, all grey, 2 spring return actuators, flush head	ON (Green)		 23 24	004770372	0,160	1/25
		OFF (Red)		 11 12			

Note: Illuminated push button stations are supplied without bulbs.

Push button stations and enclosures

Three stations							
type	description	function	legend	scheme	code No.	weight [g]	packaging [pcs]
JCZ4B2A1	Three station, all grey, 1 pilot light (R+D), supply 240V AC, bulbs BA9S, 130V, 20mA max. 2 spring return actuators, flush head	Pilot light, colourless			004770368	0,206	1/22
		ON (Green)					
		OFF (Red)					
JDB2A1B2	Three station, all grey, 3 spring return actuators, flush head	FORWARD, (Green)			004770373	0,206	1/22
		OFF (Red)					
		REVERSE, (Green)					
JEB2A1B2	Three station, all grey, 3 spring return actuators, flush head	UP, (Green)			004770374	0,206	1/22
		OFF (Red)					
		DOWN, (Green)					



Note: Illuminated push button stations are supplied without bulbs.

Contact blocks for push buttons stations

type	function	code No.	weight [g]	packaging [pcs]
HC22A2	Contact block NO	004770381	0,016	20/500
HC22B2	Contact block NC	004770382	0,016	20/500
HC22C2	Contact block 1NO+1NC	004770383	0,019	20/500
HC22D2	Contact block 2NO	004770384	0,018	20/500
HC22E2	Contact block 2NC	004770385	0,018	20/500
HC42A2	Contact block NO	004770386	0,011	20/500
HC42B2	Contact block NC	004770387	0,011	20/500
HC42C2	Contact block 1NO+1NC	004770388	0,011	10/500





Bulb holder blocks for push button stations - without bulb, with resistor and 1NO contact

type	voltage	code No.	weight [g]	packaging [pcs]
HC12H1	6V AC/DC	004770391	0,021	10/250
HC12I1	12V AC/DC	004770392	0,021	10/250
HC12J1	24 VAC/DC	004770393	0,021	10/250
HC12K1	48 VAC/DC	004770394	0,021	10/250
HC12L1	110 VAC/DC	004770395	0,021	10/250
HC12Y1	6V-240V AC	004770396	0,021	10/250
HC22N1	With resistor, diode and 1NO contact to be used with 130V, max 20mA (BA9S) bulb	004770397	0,021	10/250

Bulb holder block for push button stations - without bulb for direct supply

type	voltage	code No.	weight [g]	packaging [pcs]
HC22R1	6V-240V AC/DC (direct supply)	04770398	0,021	10/250

Bulb holder blocks for push button stations - without bulb, with resistor and 1NO contact

type	voltage	code No.	weight [g]	packaging [pcs]
HC12M1	6V AC/DC	004770398	0,021	10/250
HC12N1	12V AC/DC	004770399	0,021	10/250
HC12O1	24 VAC/DC	004770400	0,021	10/250
HC12P1	48 VAC/DC	004770401	0,021	10/250
HC12Q1	110 VAC/DC	004770402	0,021	10/250
HC22Z1	6V-240V AC without resistor, 1NO contact to be used with 130V, max 20mA (BA9S) bulb	004770403	0,021	10/250
HC22O1	6V-240V AC with resistor, diode and 1NO contact to be used with 130V, max 20mA (BA9S) bulb	004770404	0,021	10/250

All purpose enclosures

type	voltage	code No.	weight [g]	packaging [pcs]
HF999000	Grey enclosure, without hole	004770411	0,142	1/25
HF999001	Grey enclosure with one hole	004770412	0,140	1/25
HF999002	Grey enclosure with two holes	004770413	0,140	1/25
HF999003	Grey enclosure with three holes	004770414	0,128	1/36
HF999004	Grey enclosure with one hole	004770415	0,080	1/72
HF999005	Grey enclosure with two holes	004770416	0,105	1/36

Technical data, assembly and dimensions

Actuators, indicators & contact blocks

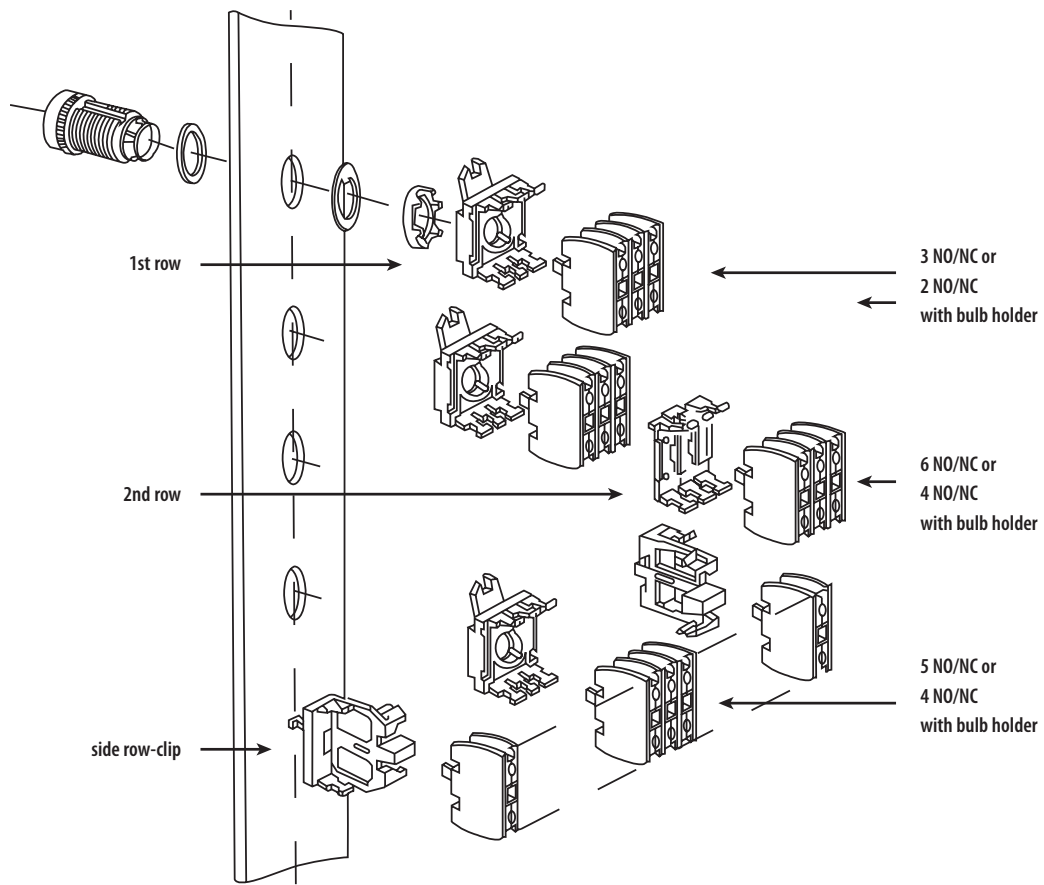
CE, VDE electrical ratings (IEC 947-3, 947-5-1, VDE 0660 part 200, EN 60947-3, EN 60947-5-1)

Alternating current (AC)	Rated operational voltage (50-60Hz)	Duty	V	110	230	440	500	
	Rated operational current (IEC 947-3)	AC21	A	16	14	11	10	
	Rated operational current (IEC 947-5-1)	AC15	A	8	6	3	2	
Direct current (DC)	Rated operational voltage	-	V	24	48	11	220	
	Rated operational current (IEC 947-5-1)	DC13	A	1,5	1	0,3	0,2	
Electrical life at 230 V, 50-60Hz, AC								
Duty	Rated Amps	Operations (x10 ⁶)	Duty	Rated Amps	Operations (x10 ⁶)			
AC21	6	1	DC13 (24V DC)	1	1			
AC21	1	1,5						
AC15	1							
Contact/Bulb Holder Blocks:	IP 20, Actuators (front): IP 65- IP67 with rubber/vinyl shroud. Twin Touch (front): IP 40, Indicators (front): IP 65							
Operational Temperature Limits (without shroud)	Non-illuminated						-30 to + 60°C	
	Illuminated						-30 to + 40°C	
Rated Insulation Voltage:	600V AC							
Dielectric/H.V. Test Voltage:	2,5 kV > for 60 seconds							
Rated thermal current	16Amp with, 2,5 mm ² flexible conductors							
Mechanical life	up to 3 x 10 ⁶ operations							
Terminals	Suitable for flexible or solid conductors from 2 x 1 mm ² to 2 x 2,5 mm ²							
Disposition of Contacts for Modular Blocks	<div style="display: flex; align-items: center;"> <div style="margin-right: 10px;"> <input type="checkbox"/> Contact Open NC <input checked="" type="checkbox"/> Contact Close NO </div> </div>							
Storage Temperature Limits	-20 to 75°C							

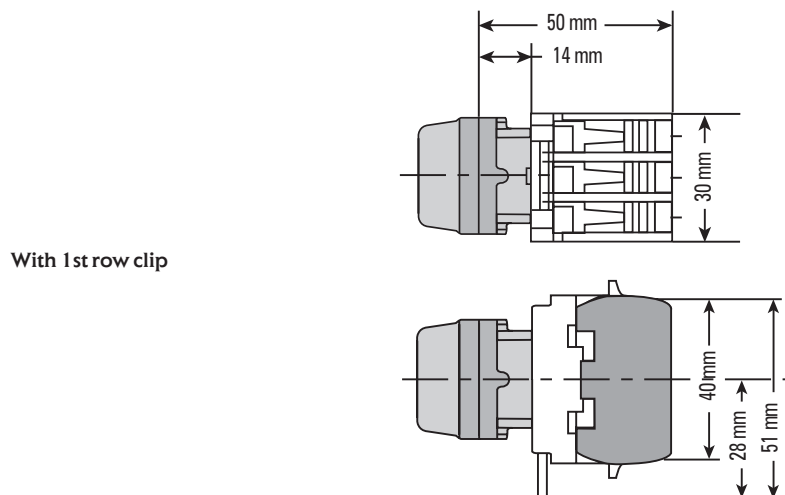
LED integral indicators, compact led integral indicators

Operating voltage	240V AC, 110V AC, 48V AC/DC, 24 V AC/DC, 12V AC/DC, 50-60 Hz
Nominal consumption	7mA, 9VA max.
Wattage (W)	48V AC/DC : 1,5W, all others <1,0W
Operating range	-20% to +10% of operating voltage
Operating temperature	-10° to +55°
Available colours (max. luminous intensity)	Red (160 lux), green (27 lux), yellow (130 lux), orange (110 lux), blue (215 lux) and white.
Insulation resistance	> 100 Mega ohms at 500 VDC
Terminals	Suitable for flexible or solid conductors from 1 mm ² to 2,5 mm ²
Dielectric test voltage	> 1,5 kV
Degree of protection	IP 30 for terminal, IP 65 for the front
Life	100,000 burning hours

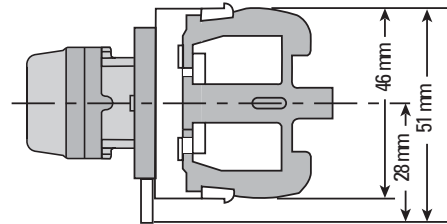
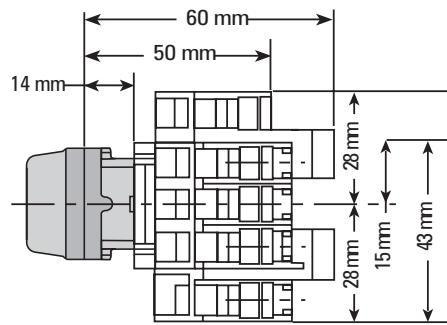
Mounting possibilities



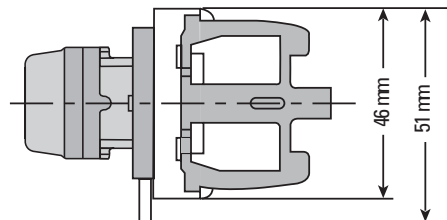
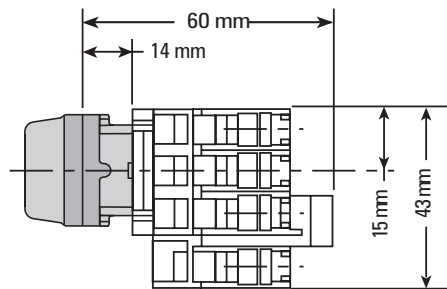
Actuators with 1st row, side row and 2nd row cascading



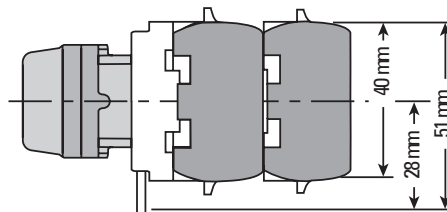
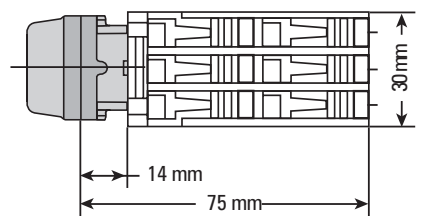
With side row (both sides)



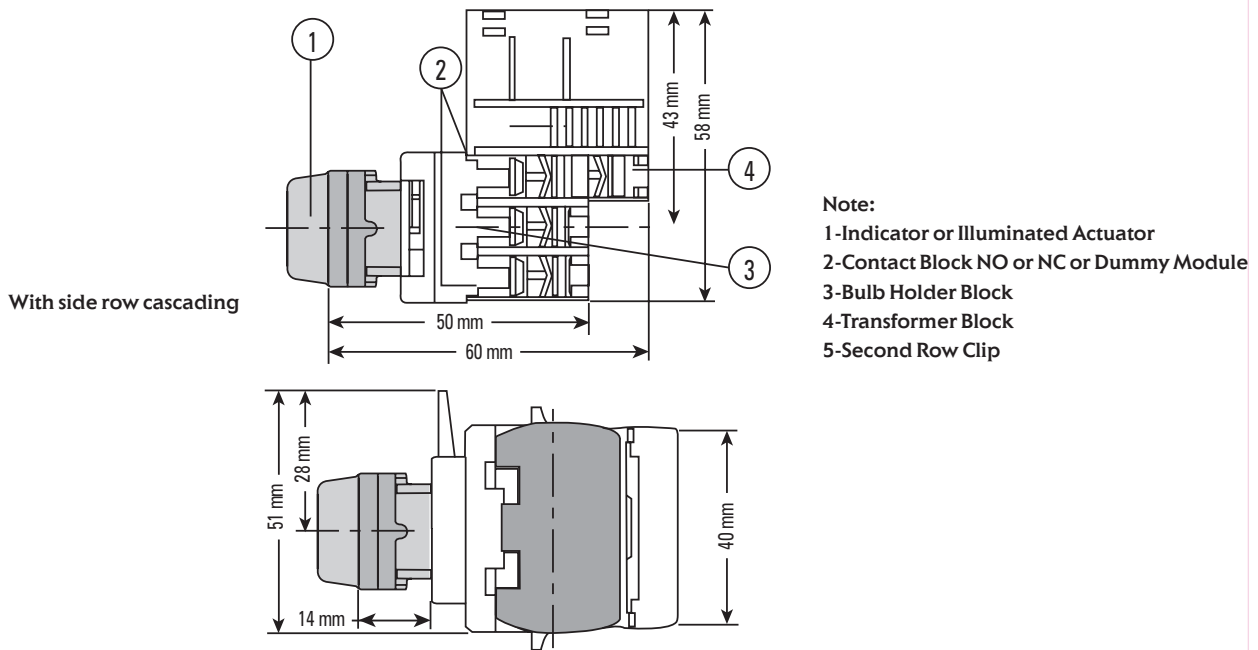
With side row clip on RH/LH



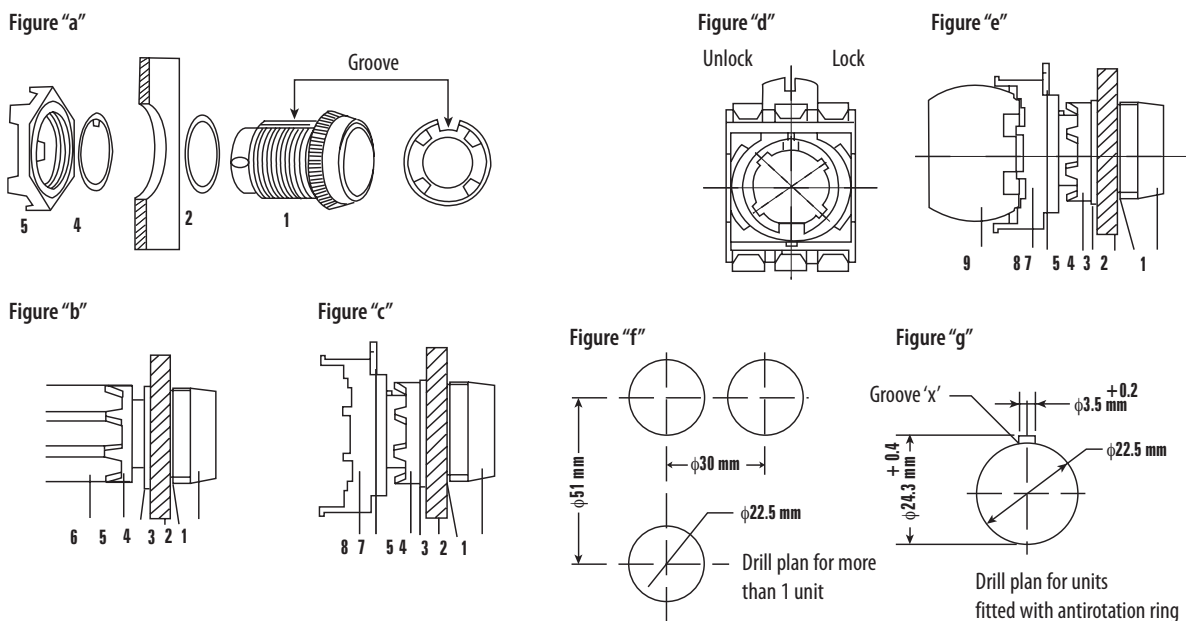
With 2nd row clip



Indicators/actuators with bulb holder and transformer block



Mounting holes for modular block assemblies



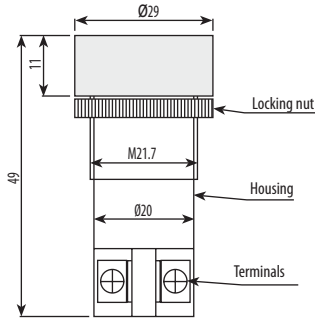
Notes:

1. (figure a&b) Remove the locking nut (5) from the Actuator (1).
2. Insert the Actuator along with the Sealing Ring (2) in panel cutout (3).
3. Orient the key of the antirotation ring (4) (optional) with the groove of the Actuator and insert the projection of the antirotation ring in the groove of panel cutout as shown x in figure g.
4. With the help of fixing device (6) fix the locking nut (5).
5. (figure c&d) Keep the locking lever (7) of the First Row Clip (8) in unlocking position.
6. Insert the First Row Clip on the Actuator. Ensure that the projection of First Row Clip is oriented with groove of Actuator.
7. Turn Locking Lever to Lock Position.
8. (figure e) Fix the modular blocks (9) into the First Row Clip (8) by just pushing to snap fit.

Integral actuators and indicators

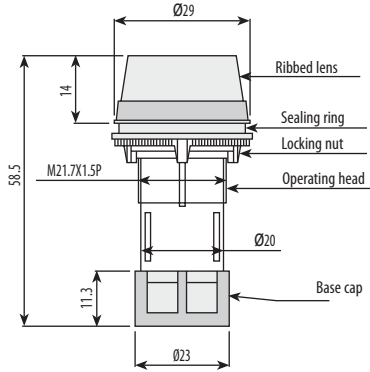
Compact Integral Actuators

Series TN



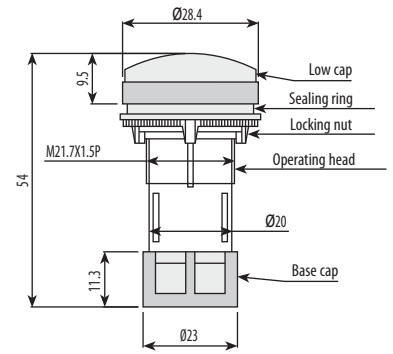
Compact Integral LED Indicators & Compact Integral Indicators

Series TL, TM, TS

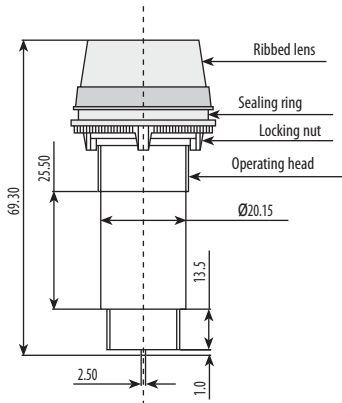


Compact Integral LED Indicators

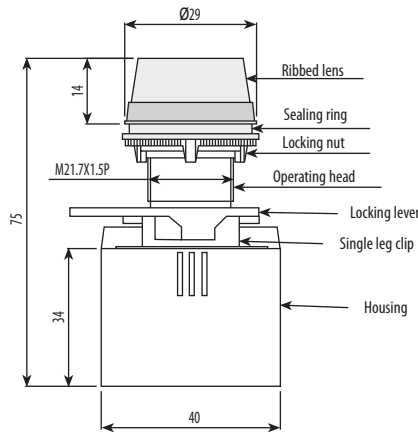
Series TT



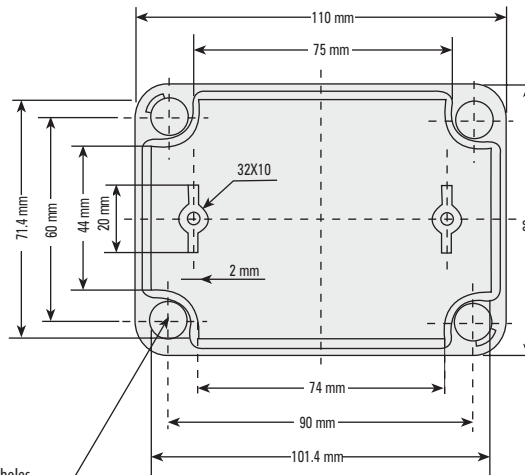
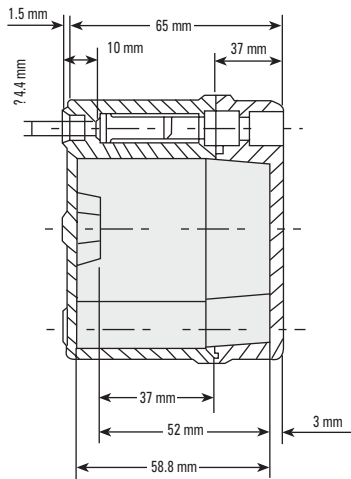
Integral LED Indicators & Integral Indicators, Series HV, HSO, HW



Universal Voltage Integral LED Indicators Series TP



All Purpose Enclosure



Mounting holes
4-Nos. Suitable for
M 4x16 CH. HD Screws

