

## Actuators and indicators

### Actuators, indicators & contact blocks

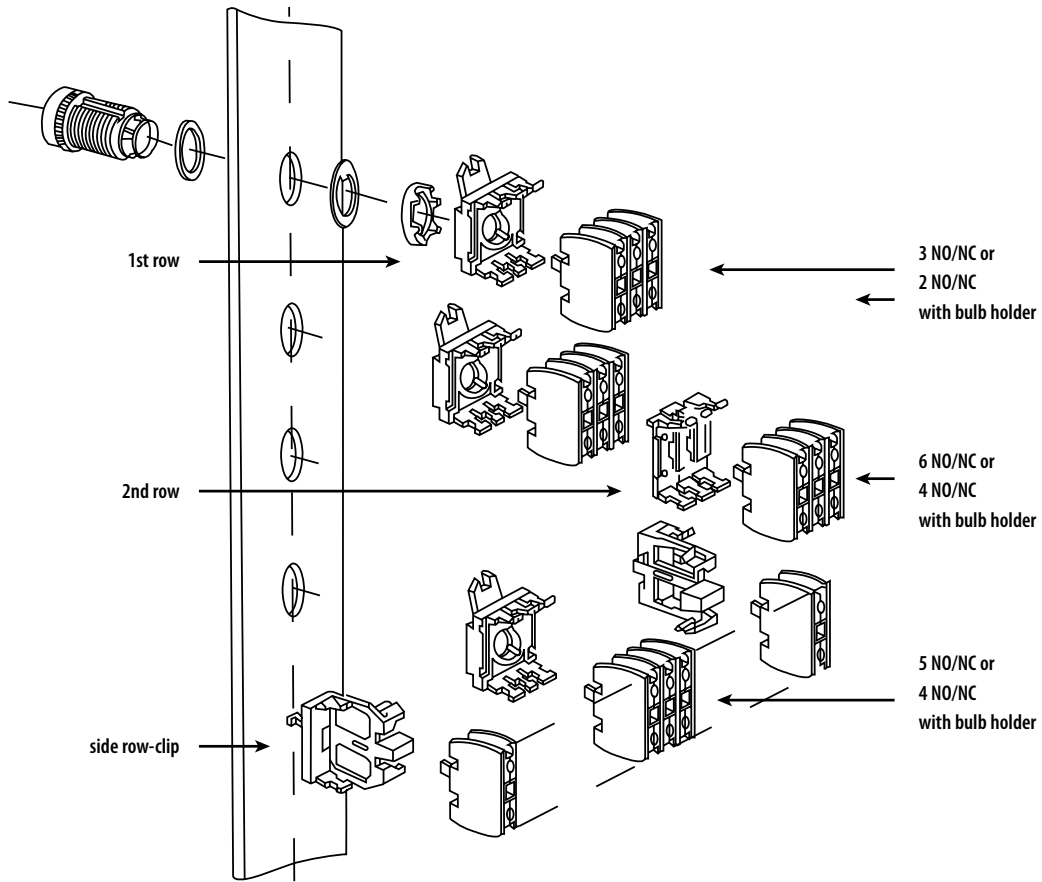
CE, VDE electrical ratings (IEC 947-3, 947-5-1, VDE 0660 part 200, EN 60947-3, EN 60947-5-1)

Alternating current (AC)	Rated operational voltage (50-60Hz)	Duty	V	110	230	440	500
	Rated operational current (IEC 947-3)	AC21	A	16	14	11	10
	Rated operational current (IEC 947-5-1)	AC15	A	8	6	3	2
Direct current (DC)	Rated operational voltage	-	V	24	48	11	220
	Rated operational current (IEC 947-5-1)	DC13	A	1,5	1	0,3	0,2
<b>Electrical life at 230 V, 50-60Hz, AC</b>							
Duty	Rated Amps	Operations (x10 <sup>6</sup> )	Duty	Rated Amps	Operations (x10 <sup>6</sup> )		
AC21	6	1	DC13 (24V DC)	1	1		
AC21	1	1,5					
AC15	1						
Contact/Bulb Holder Blocks:	IP 20, Actuators (front): IP 65- IP67 with rubber/vinyl shroud. Twin Touch (front): IP 40, Indicators (front): IP 65						
Operational Temperature Limits (without shroud)	Non-illuminated			-30 to + 60°C			
	Illuminated			-30 to + 40°C			
Rated Insulation Voltage:	600V AC						
Dielectric/H.V. Test Voltage:	2,5 kV > for 60 seconds						
Rated thermal current	16Amp with, 2,5 mm <sup>2</sup> flexible conductors						
Mechanical life	up to 3 x 10 <sup>6</sup> operations						
Terminals	Suitable for flexible or solid conductors from 2 x 1 mm <sup>2</sup> to 2 x 2,5 mm <sup>2</sup>						
Disposition of Contacts for Modular Blocks	<div style="display: flex; align-items: center;"> <div style="margin-right: 20px;"> <input type="checkbox"/> Contact Open NC  <input checked="" type="checkbox"/> Contact Close NO                 </div> </div>						
Storage Temperature Limits	-20 to 75°C						

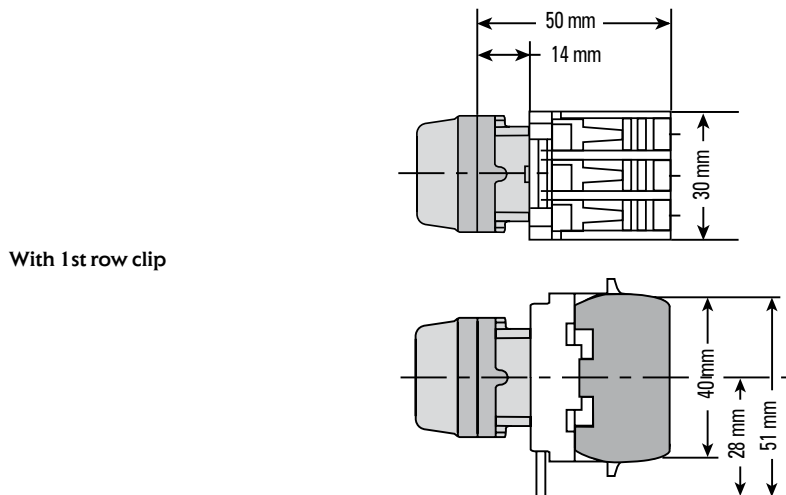
### LED integral indicators, compact led integral indicators

Operating voltage	240V AC, 110V AC, 48V AC/DC, 24 V AC/DC, 12V AC/DC, 50-60 Hz
Nominal consumption	7mA, 9VA max.
Wattage (W)	48V AC/DC : 1,5W, all others <1,0W
Operating range	-20% to +10% of operating voltage
Operating temperature	-10° to +55°
Available colours (max. luminous intensity)	Red (160 lux), green (27 lux), yellow (130 lux), orange (110 lux), blue (215 lux) and white.
Insulation resistance	> 100 Mega ohms at 500 VDC
Terminals	Suitable for flexible or solid conductors from 1 mm <sup>2</sup> to 2,5 mm <sup>2</sup>
Dielectric test voltage	> 1,5 kV
Degree of protection	IP 30 for terminal, IP 65 for the front
Life	100,000 burning hours

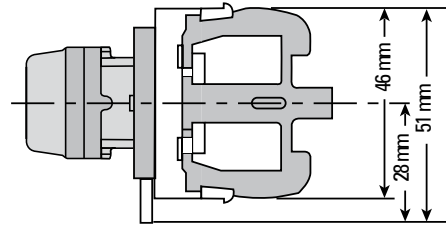
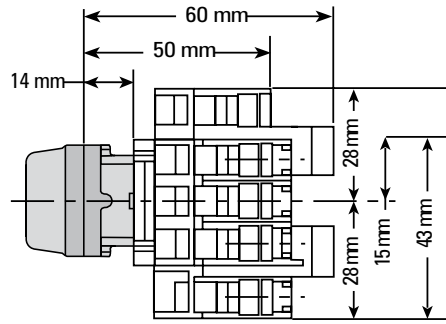
**Mounting possibilities**



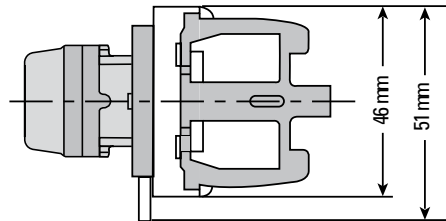
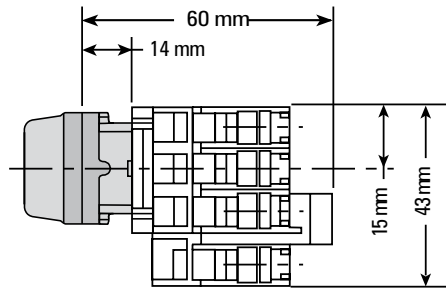
**Actuators with 1st row, side row and 2nd row cascading**



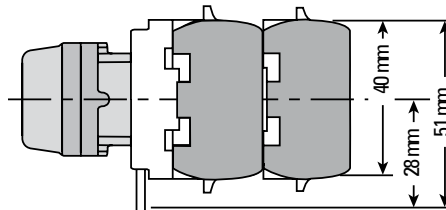
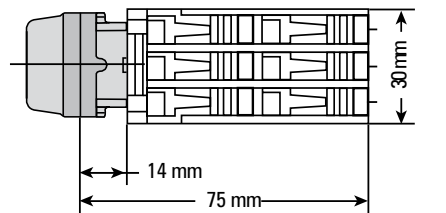
With side row (both sides)



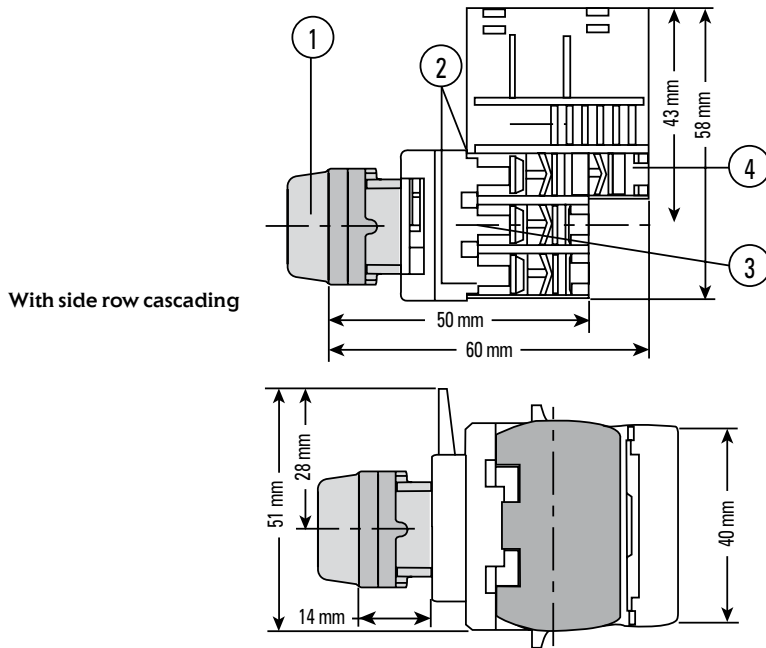
With side row clip on RH/  
LH



With 2nd row clip

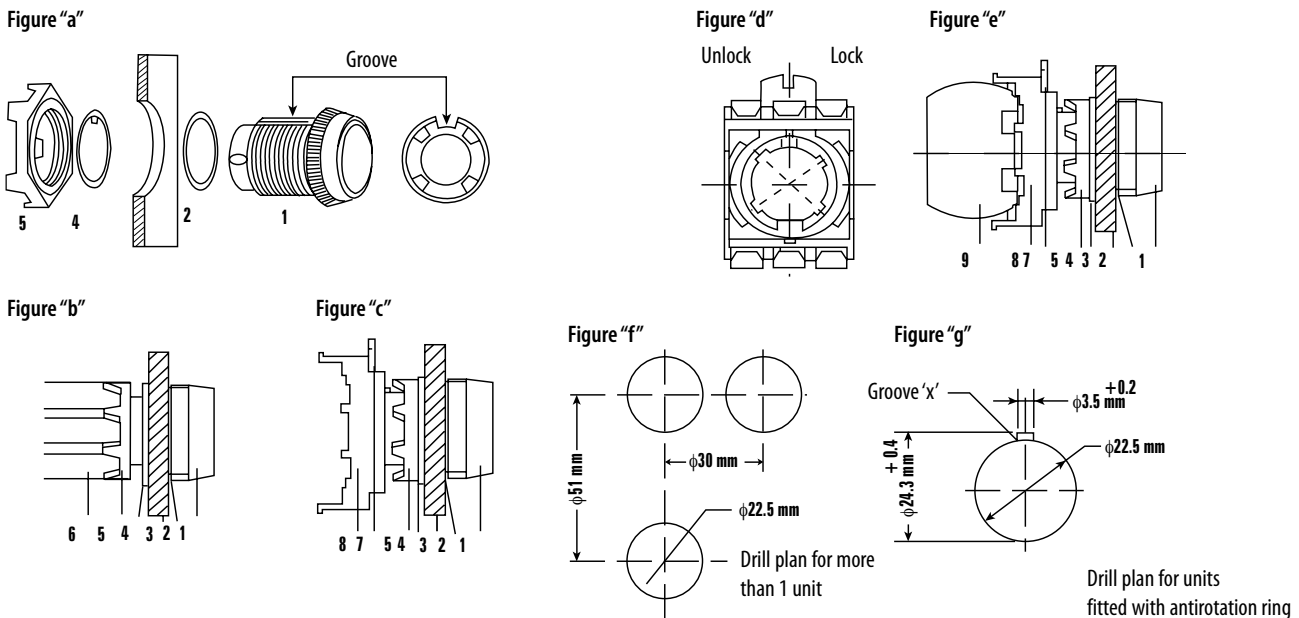


Indicators/actuators with bulb holder and transformer block



- Note:
- 1-Indicator or Illuminated Actuator
  - 2-Contact Block NO or NC or Dummy Module
  - 3-Bulb Holder Block
  - 4-Transformer Block
  - 5-Second Row Clip

Mounting holes for modular block assemblies



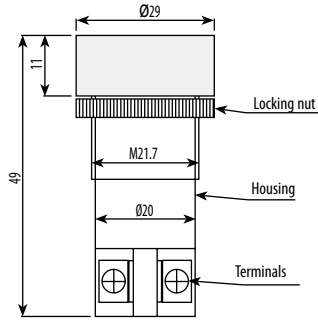
Notes:

1. (figure a&b) Remove the locking nut (5) from the Actuator (1).
2. Insert the Actuator along with the Sealing Ring (2) in panel cutout (3).
3. Orient the key of the antirotation ring (4) (optional) with the groove of the Actuator and insert the projection of the antirotation ring in the groove of panel cutout as shown x in figure g.
4. With the help of fixing device (6) fix the locking nut (5).
5. (figure c&d) Keep the locking lever (7) of the First Row Clip (8) in unlocking position.
6. Insert the First Row Clip on the Actuator. Ensure that the projection of First Row Clip is oriented with groove of Actuator.
7. Turn Locking Lever to Lock Position.
8. (figure e) Fix the modular blocks (9) into the First Row Clip (8) by just pushing to snap fit.

**Integral actuators and indicators**

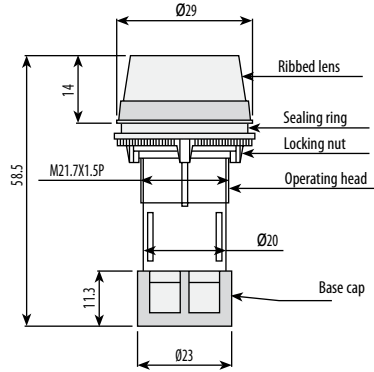
**Compact Integral Actuators**

**Series TN**



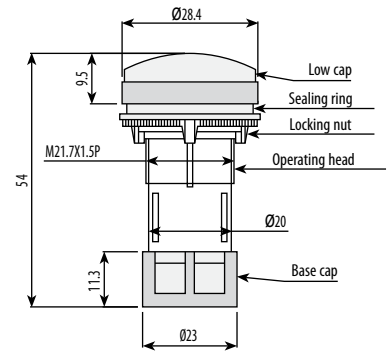
**Compact Integral LED Indicators & Compact Integral Indicators**

**Series TL, TM, TS**

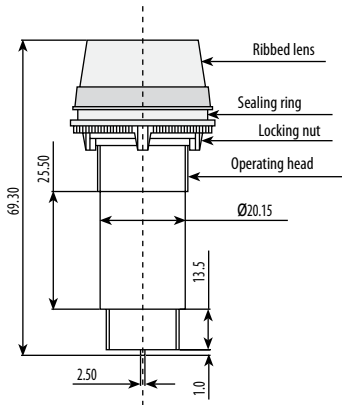


**Compact Integral LED Indicators**

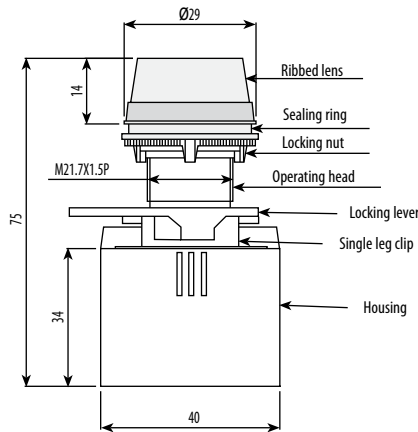
**Series TT**



**Integral LED Indicators & Integral Indicators Series HV, HSO, HW**

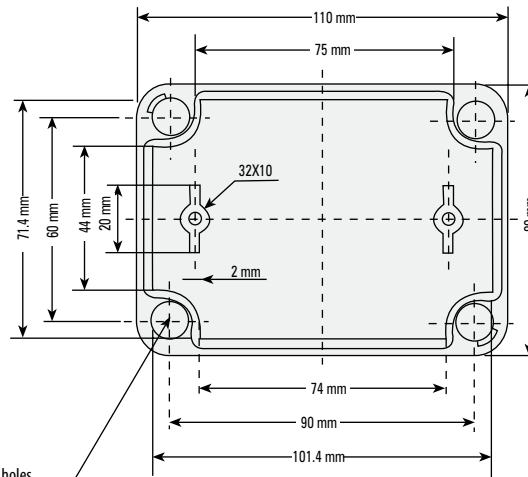
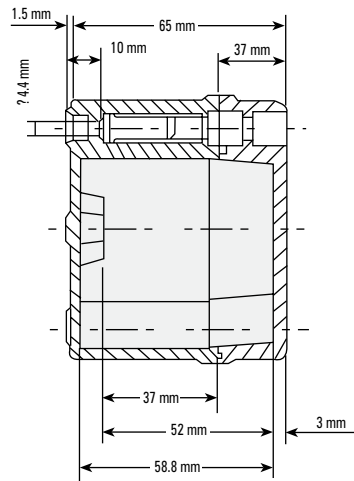


**Universal Voltage Integral LED Indicators Series TP**



**Enclosure**

**All Purpose Enclosure**



Mounting holes  
4-Nos. Suitable for  
M 4x16 CH. HD Screws

