

## Switch disconnectors LAS

### Generalities

The modular switch disconnectors of LAS series allow the breaking and the disconnecting on load of equipment on low voltage at nominal current from 16 A to 125A.

### Use

The switch disconnectors of LAS series are commonly used for the following purposes:

- main switch
- switch for motors
- safety switch
- disconnecter

### General characteristics

- high breaking capacity (AC 22 A - AC 23 A)
- double break contacts
- high electrical and mechanical endurance
- resistant to damp heat
- IP20 degree of protection
- modular execution, basic mounting on 35 mm DIN rail and by screws, modular window 45mm

### Additional poles

Fourth switched pole, solid neutral and earth pole.

### Operating mechanism

Black (standard execution) or emergency direct handle padlockable in 0 position.

Handle with and without door interlock handle, black or emergency handle padlock with up to three padlocks in 0 position.

IP 65 degree of protection on door interlock handle.

## Switch disconnector LAS

Rated current  
**16-125 A**



### Switch disconnector LAS (grey-black handle)

type	code No.	$I_n$ [A]	number of poles	weight [g]	packaging [pcs]
LAS16	004660011	16	3	150	1
LAS25	004660012	25	3	150	1
LAS32	004660013	32	3	150	1
LAS40	004660014	40	3	150	1
LAS63	004660015	63	3	150	1
LAS80	004660106	80	3	265	1
LAS100	004660107	100	3	265	1
LAS125	004660108	125	3	265	1

### Switch disconnector LA (yellow-red handle)

type	code No.	$I_n$ [A]	number of poles	weight [g]	packaging [pcs]
LAS16_Y_R	004661011	16	3	150	1
LAS25_Y_R	004661012	25	3	150	1
LAS32_Y_R	004661013	32	3	150	1
LAS40_Y_R	004661014	40	3	150	1
LAS63_Y_R	004661015	63	3	150	1
LAS80_Y_R	004661106	80	3	265	1
LAS100_Y_R	004661107	100	3	265	1
LAS125_Y_R	004661108	125	3	265	1

## Door mounting switch disconnector LAS

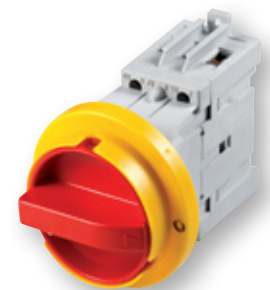
Rated current

### Door mounting switch disconnector LAS (grey-black handle)

type	code No.	$I_n$ [A]	number of poles	weight [g]	packaging [pcs]
LAS16 D	004661200	16	3	130	1
LAS25 D	004661201	25	3	130	1
LAS32 D	004661202	32	3	130	1
LAS40 D	004661203	40	3	130	1
LAS63 D	004661204	63	3	130	1

### Door mounting switch disconnector LAS (yellow-red handle)

type	code No.	$I_n$ [A]	number of poles	weight [g]	packaging [pcs]
LAS16 D_Y_R	004661205	16	3	130	1
LAS25 D_Y_R	004661206	25	3	130	1
LAS32 D_Y_R	004661207	32	3	130	1
LAS40 D_Y_R	004661208	40	3	130	1
LAS63 D_Y_R	004661209	63	3	130	1



ETISWITCH

## Accessories for LAS

### Door interlock handle

description	code No.	for use with	weight [g]	packaging [pcs]
ROD LASY-R, emergency, yellow-red	004665002	LAS 16-LAS 125	46	1
ROD LAS, black	004665001	LAS 16-LAS 125	46	1

### Shaft

description	code No.	for use with	weight [g]	packaging [pcs]
SH LAS 100, 100mm	004665010	LAS 16-LAS 125	8	1
SH LAS 200, 200mm	004665011	LAS 16-LAS 125	14	1
SH LAS 300, 300mm	004665012	LAS 16-LAS 125	20	1

### 4th pole

description	code No.	for use with	weight [g]	packaging [pcs]
P4 LAS D	004661210	LAS 16-LAS 63	38	1
P4 LAS80	004665021	LAS 80-LAS 125	52	1

### Auxiliary contact

description	code No.	for use with	weight [g]	packaging [pcs]
PS LAS D, 1NO+1NC, faston terminals	004661213	LAS 16 - LAS 63	38	1
PS LAS 16, 1NO+1NC, screw terminals	004665051	LAS 80-LAS 125	38	1

### Earth pole

description	code No.	for use with	weight [g]	packaging [pcs]
PE LAS D	004661212	LAS 16 - LAS 63	56	1
PE LAS80	004665041	LAS 80-LAS 125	56	1

### Solid neutral

description	code No.	for use with	weight [g]	packaging [pcs]
N LAS D	004661211	LAS 16 - LAS 63	56	1
N LAS80	004665031	LAS 80-LAS 125	56	1

### Terminal cover

description	code No.	for use with	weight [g]	packaging [pcs]
PR LAS 16 3p	004660020	LAS 16-LAS 63	93	1
PR LAS 16 4p	004660021	LAS 16-LAS 63	93	1
PR LAS 80 3p	004665061	LAS 80-LAS 125	93	1
PR LAS 80 4p	004665064	LAS 80-LAS 125	93	1



ROD LASY\_R



ROD LAS



SH LAS



4th pole



Auxiliary contact



Earth pole



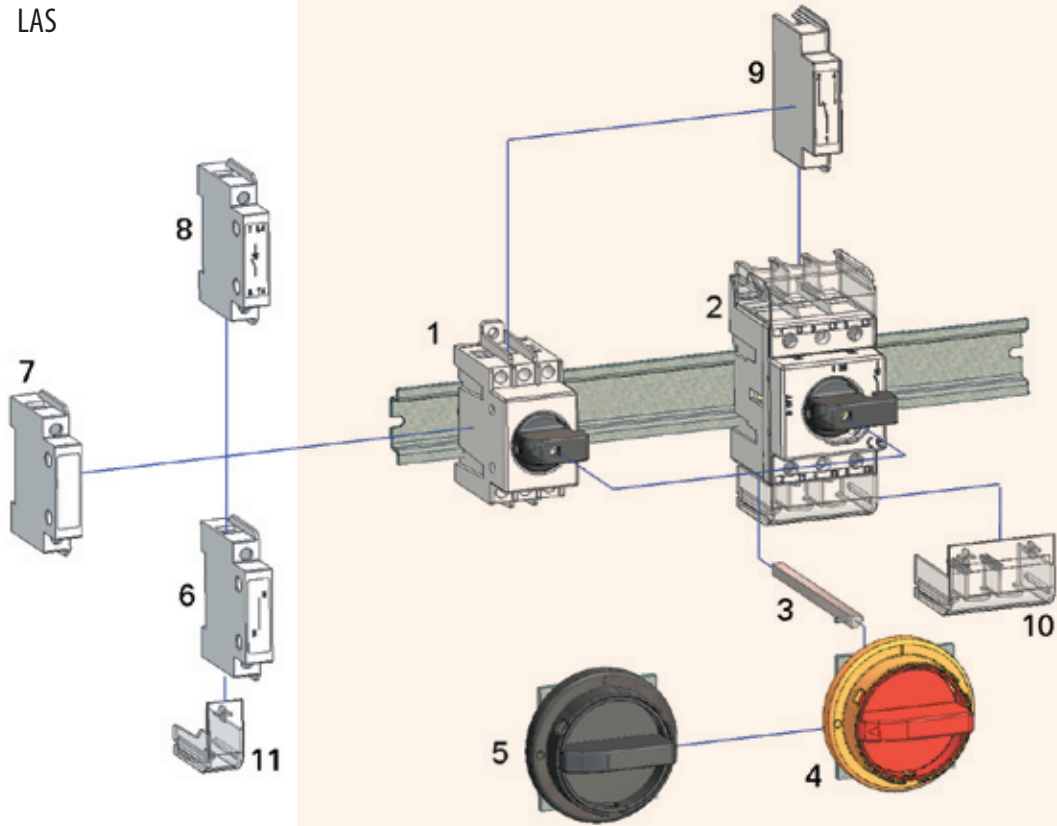
Solid neutral



Terminal covers

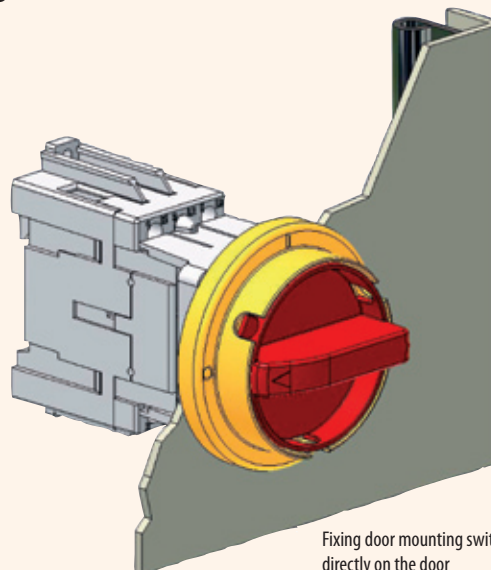
Accessories

LAS



- 1. emergency switch disconnector – direct handle
- 2. emergency switch disconnector – direct handle
- 3. shaft
- 4. emergency door interlock handle (red and yellow)
- 5. door interlock handle (black)
- 6. solid neutral
- 7. earth pole
- 8. 4th pole block
- 9. auxiliary contacts
- 10. terminal cover
- 11. terminal cover for 4th pole

LAS\_D



Fixing door mounting switch disconnector directly on the door