

aR/gR

 TYPES
M

 RATED VOLTAGE
~690V

Technical data:

 Standards:
IEC 60269-4

 Breaking capacity:
~50kA / ≐25kA
Rated voltage:
~690V / ≐440V

Application:

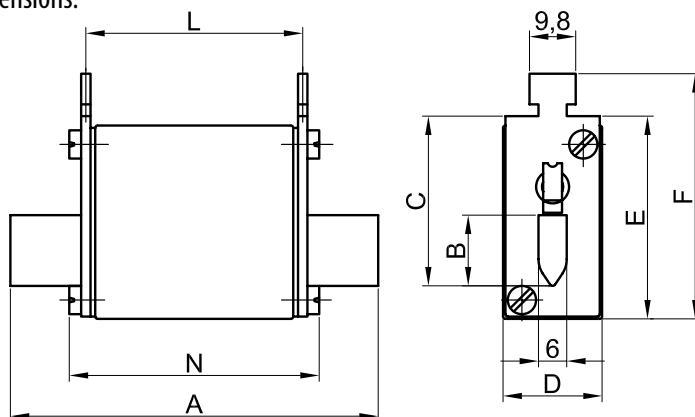
 Fuse-links type M are applied in fuse base
(for example) PK.

Size	In (A)	Type (visual indicator with grip for microswitch NVS 5)	Code No.	Operating I _t -value (A ² s)	Power dissipation (W)	Char.	Packaging (pcs)	Weight (g)
00C	6	M00CUQU-N/6A/690V	004331018	19	2,8	gR	3/120	180
	10	M00CUQU-N/10A/690V	004331019	62	3,3	gR	3/120	180
	16	M00CUQU-N/16A/690V	004331020	154	4,1	gR	3/120	180
	20	M00CUQU-N/20A/690V	004331021	290	5	gR	3/120	180
	25	M00CUQU-N/25A/690V	004331022	590	5,8	gR	3/120	180
	35	M00CUQU-N/35A/690V	004331023	1.160	8	gR	3/120	180
	40	M00CUQU-N/40A/690V	004331024	1.500	11	gR	3/120	180
	50	M00CUQU-N/50A/690V	004331025	2.370	16	gR	3/120	180
	63	M00CUQU-N/63A/690V	004331026	4.650	20	gR	3/120	180
	80	M00CUQU-N/80A/690V	004331027	5.350	25	gR	3/120	180
	100	M00CUQU-N/100A/690V	004331028	10.500	32	gR	3/120	180
	125	M00CUQU-N/125A/690V	004331029	21.300	40	gR	3/120	180
00	6	M00UQU-N/6A/690V	004331201	18	2,8	gR	3/90	180
	10	M00UQU-N/10A/690V	004331202	60	3,3	gR	3/90	180
	16	M00UQU-N/16A/690V	004331203	170	4,1	gR	3/90	180
	20	M00UQU-N/20A/690V	004331204	250	5	gR	3/90	180
	25	M00UQU-N/25A/690V	004331205	460	5,8	gR	3/90	180
	35	M00UQU-N/35A/690V	004331214	1.000	8	gR	3/90	180
	40	M00UQU-N/40A/690V	004331208	1.300	11	gR	3/90	180
	50	M00UQU-N/50A/690V	004331209	1.500	16	gR	3/90	180
	63	M00UQU-N/63A/690V	004331210	3.000	20	gR	3/90	180
	80	M00UQU-N/80A/690V	004331211	5.300	25	gR	3/90	180
	100	M00UQU-N/100A/690V	004331212	9.000	32	gR	3/90	180
	125	M00UQU-N/125A/690V	004331213	16.000	40	gR	3/90	180
160	M00UQU-N/160A/690V	004331215	24.000	44	aR	3/90	180	
0	6	M0UQU-N/6A/690V	004332201	18	2,8	gR	3/45	320
	10	M0UQU-N/10A/690V	004332202	60	3,3	gR	3/45	320
	16	M0UQU-N/16A/690V	004332203	170	4,1	gR	3/45	320
	20	M0UQU-N/20A/690V	004332204	250	5	gR	3/45	320
	25	M0UQU-N/25A/690V	004332205	460	5,8	gR	3/45	320
	35	M0UQU-N/35A/690V	004332216	1.000	8	gR	3/45	320
	40	M0UQU-N/40A/690V	004332208	1.300	11	gR	3/45	320
	50	M0UQU-N/50A/690V	004332209	1.500	16	gR	3/45	320
	63	M0UQU-N/63A/690V	004332210	3.000	20	gR	3/45	320
	80	M0UQU-N/80A/690V	004332211	5.300	25	gR	3/45	320
	100	M0UQU-N/100A/690V	004332212	9.000	32	gR	3/45	320
	125	M0UQU-N/125A/690V	004332213	16.000	40	gR	3/45	320
160	M0UQU-N/160A/690V	004332214	24.000	44	aR	3/45	320	

M00 UQU-N/6A/690V



ULTRA QUICK

Dimensions:


Size	A	B	C	D	E	F	L	N
00C	80	15	35	21	40	50,5	47	54
00	80	15	35	28	40	50,5	47	54
0	125	15	35	28	47	56,5	66	66

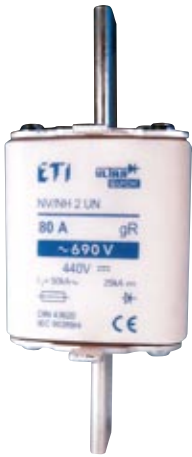
aR/gR

TYPES
M

RATED VOLTAGE
~690V

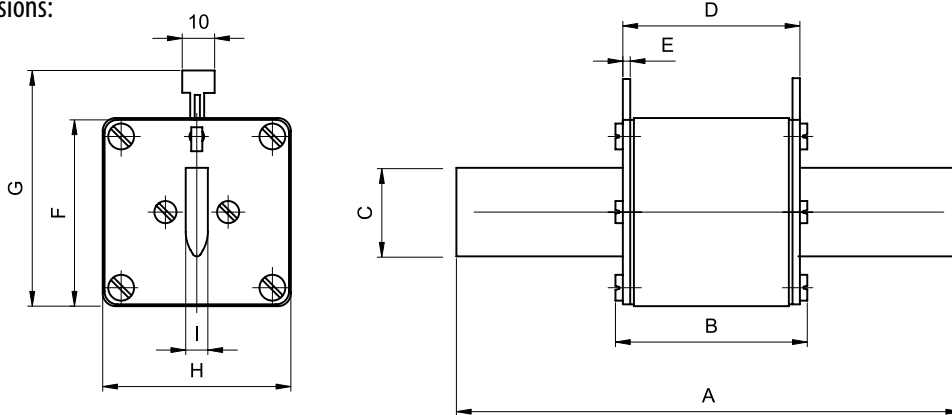
Technical data:		Application:
Standards: IEC 60269-4	Breaking capacity: ~50kA/ --- 25kA Rated voltage: ~690V/ --- 440V	Fuse-links type M are applied in fuse base (for example) PK.

M2UQU-N/80A/690V



Size	In (A)	Type (visual indicator with grip for microswitch NVS 5)	Code No.	Operating I ² t-value (A ² s)	Power dissipation (W)	Char.	Packaging (pcs)	Weight (g)
1	35	M1UQU-N/35A/690V	004333217	1.000	8	gR	3/24	450
	50	M1UQU-N/50A/690V	004333208	1.500	16	gR	3/24	450
	63	M1UQU-N/63A/690V	004333209	3.000	20	gR	3/24	450
	80	M1UQU-N/80A/690V	004333210	5.300	25	gR	3/24	450
	100	M1UQU-N/100A/690V	004333211	9.000	32	gR	3/24	450
	125	M1UQU-N/125A/690V	004333212	16.000	40	gR	3/24	450
	160	M1UQU-N/160A/690V	004333213	24.000	44	aR	3/24	450
	200	M1UQU-N/200A/690V	004333214	40.000	58	aR	3/24	450
	224	M1UQU-N/224A/690V	004333215	52.000	60	aR	3/24	450
	250	M1UQU-N/250A/690V	004333216	65.000	63	aR	3/24	450
2	80	M2UQU-N/80A/690V	004334209	5.300	25	gR	3/15	680
	100	M2UQU-N/100A/690V	004334210	9.000	32	gR	3/15	680
	125	M2UQU-N/125A/690V	004334211	16.000	40	gR	3/15	680
	160	M2UQU-N/160A/690V	004334213	24.000	44	aR	3/15	680
	200	M2UQU-N/200A/690V	004334214	40.000	58	aR	3/15	680
	250	M2UQU-N/250A/690V	004334216	60.000	63	aR	3/15	680
	280	M2UQU-N/280A/690V	004334218	100.000	75	aR	3/15	680
	300	M2UQU-N/300A/690V	004334219	140.000	85	aR	3/15	680
	315	M2UQU-N/315A/690V	004334220	175.000	95	aR	3/15	680
	355	M2UQU-N/355A/690V	004334221	220.000	100	aR	3/15	680
400	M2UQU-N/400A/690V	004334222	270.000	105	aR	3/15	680	
3	250	M3UQU-N/250A/690V	004335207	60.000	63	aR	3/12	880
	280	M3UQU-N/280A/690V	004335208	100.000	75	aR	3/12	880
	315	M3UQU-N/315A/690V	004335209	175.000	95	aR	3/12	880
	355	M3UQU-N/355A/690V	004335210	300.000	100	aR	3/12	880
	400	M3UQU-N/400A/690V	004335211	441.700	105	aR	3/12	880
	450	M3UQU-N/450A/690V	004335213	530.000	115	aR	3/12	880
	500	M3UQU-N/500A/690V	004335214	620.000	130	aR	3/12	880
	560	M3UQU-N/560A/690V	004335215	730.000	135	aR	3/12	880
630	M3UQU-N/630A/690V	004335216	850.000	140	aR	3/12	880	

Dimensions:



Size	A	B	C	D	E	F	G	H	I
1	135	75	20	68	2	40	61,5	46	6
2	150	75	26	68	2	48	71,5	57	6
3	150	75	36	68	2	60	81,5	69	6

Technical data on page 51

aR/gR

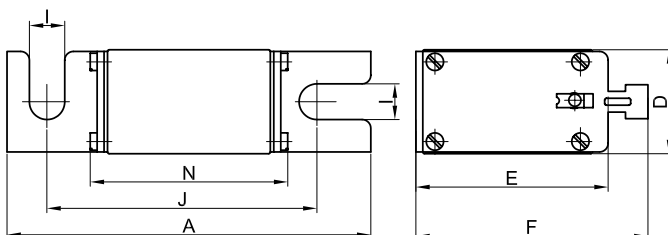
 TYPES
S80mm/97mm

 RATED VOLTAGE
~690V

Technical data:			Application:
Standards: IEC 60269-4	Breaking capacity: ~50kA / =25kA Rated voltage: ~690V / =440V		Fuse-links type S of size 00C, 00 and 0 are applied in fuse base US00-1/80 and mounted by screws to busbars.

Size	In (A)	Type (visual indicator with grip for microswitch NVS 5)	Code No.	Operating I ² t-value (A ² s)	Power dissipation (W)	Char.	Packaging (pcs)	Weight (g)
00C	6	S00CUQU/80/6A/690V	004331003	19	2,8	aR	3/120	180
	10	S00CUQU/80/10A/690V	004331004	62	3,3	aR	3/120	180
	16	S00CUQU/80/16A/690V	004331005	154	4,1	aR	3/120	180
	20	S00CUQU/80/20A/690V	004331006	290	5	aR	3/120	180
	25	S00CUQU/80/25A/690V	004331007	590	5,8	aR	3/120	180
	35	S00CUQU/80/35A/690V	004331008	1.160	8	aR	3/120	180
	40	S00CUQU/80/40A/690V	004331009	1.500	11	aR	3/120	180
	50	S00CUQU/80/50A/690V	004331010	2.370	16	aR	3/120	180
	63	S00CUQU/80/63A/690V	004331011	4.650	20	aR	3/120	180
	80	S00CUQU/80/80A/690V	004331012	5.350	25	aR	3/120	180
	100	S00CUQU/80/100A/690V	004331013	10.500	32	aR	3/120	180
	125	S00CUQU/80/125A/690V	004331014	21.300	40	aR	3/120	180
	00	6	S00UQU/80/6A/690V	004331102	18	2,8	gR	3/90
10		S00UQU/80/10A/690V	004331103	60	3,3	gR	3/90	180
16		S00UQU/80/16A/690V	004331104	170	4,1	gR	3/90	180
20		S00UQU/80/20A/690V	004331105	250	5	gR	3/90	180
25		S00UQU/80/25A/690V	004331106	460	5,8	gR	3/90	180
35		S00UQU/80/35A/690V	004331116	1.000	8	gR	3/90	180
40		S00UQU/80/40A/690V	004331110	1.300	11	gR	3/90	180
50		S00UQU/80/50A/690V	004331111	1.500	16	gR	3/90	180
63		S00UQU/80/63A/690V	004331112	3.000	20	gR	3/90	180
80		S00UQU/80/80A/690V	004331113	5.300	25	gR	3/90	180
100		S00UQU/80/100A/690V	004331114	9.000	32	gR	3/90	180
125		S00UQU/80/125A/690V	004331115	16.000	40	gR	3/90	180
160		S00UQU/80/160A/690V	004331117	24.000	44	aR	3/90	180
0	6	S0UQU/97/6A/690V	004332101	18	2,8	gR	3/45	320
	10	S0UQU/97/10A/690V	004332102	60	3,3	gR	3/45	320
	16	S0UQU/97/16A/690V	004332103	170	4,1	gR	3/45	320
	20	S0UQU/97/20A/690V	004332104	250	5	gR	3/45	320
	25	S0UQU/97/25A/690V	004332105	460	5,8	gR	3/45	320
	35	S0UQU/97/35A/690V	004332116	1.000	8	gR	3/45	320
	40	S0UQU/97/40A/690V	004332108	1.300	11	gR	3/45	320
	50	S0UQU/97/50A/690V	004332109	1.500	16	gR	3/45	320
	63	S0UQU/97/63A/690V	004332110	3.000	20	gR	3/45	320
	80	S0UQU/97/80A/690V	004332111	5.300	25	gR	3/45	320
	100	S0UQU/97/100A/690V	004332112	9.000	32	gR	3/45	320
	125	S0UQU/97/125A/690V	004332113	16.000	40	gR	3/45	320
	160	S0UQU/97/160A/690V	004332114	24.000	44	aR	3/45	320

S00UQU/80/6A/690V


ULTRA QUICK
Dimensions:


Size	A	D	E	F	I	J	N
00C	105	21	48	58	8,5	80	54
00	105	27	48	58	11,5	80	54
0	121	27	48	58	11,5	97	69

aR/gR

TYPES
S110mm

RATED VOLTAGE
~690V

Technical data:		Application:
Standards: IEC 60269-4	Breaking capacity: ~50kA / =25kA Rated voltage: ~690V / =440V	Fuse-links type S 110mm of size 1, 2, 3 are applied in universal fuse base US1..3-1/80-110 and mounted by screws to busbars.

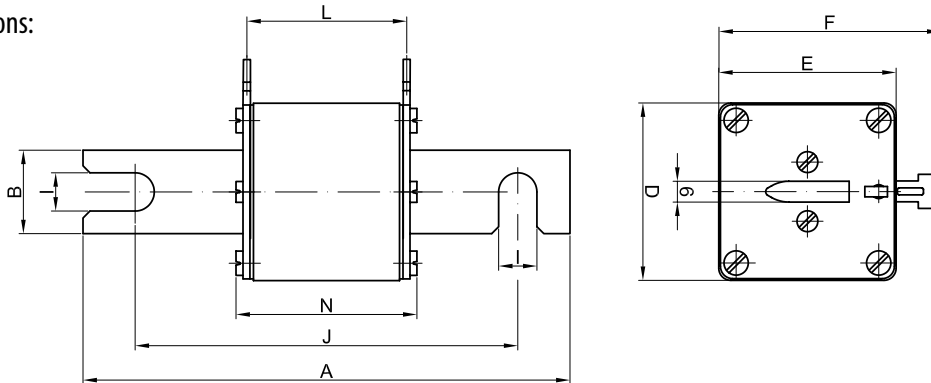
S2UQU/110/80A/690V



Size	In (A)	Type (visual indicator with grip for microswitch NVS 5)	Code No.	Operating I _t -value (A ² s)	Power dissipation (W)	Char.	Packaging (pcs)	Weight (g)
1	35	S1UQU/110/35A/690V	004333117	1.000	8	gR	3/24	450
	50	S1UQU/110/50A/690V	004333108	1.500	16	gR	3/24	450
	63	S1UQU/110/63A/690V	004333109	3.000	20	gR	3/24	450
	80	S1UQU/110/80A/690V	004333110	5.300	25	gR	3/24	450
	100	S1UQU/110/100A/690V	004333111	9.000	32	gR	3/24	450
	125	S1UQU/110/125A/690V	004333112	16.000	40	gR	3/24	450
	160	S1UQU/110/160A/690V	004333113	24.000	44	aR	3/24	450
	200	S1UQU/110/200A/690V	004333114	40.000	58	aR	3/24	450
	224	S1UQU/110/224A/690V	004333115	52.000	60	aR	3/24	450
	250	S1UQU/110/250A/690V	004333116	65.000	63	aR	3/24	450
2	80	S2UQU/110/80A/690V	004334109	5.300	25	gR	3/15	680
	100	S2UQU/110/100A/690V	004334110	9.000	32	gR	3/15	680
	125	S2UQU/110/125A/690V	004334111	16.000	40	gR	3/15	680
	160	S2UQU/110/160A/690V	004334112	24.000	44	aR	3/15	680
	200	S2UQU/110/200A/690V	004334113	40.000	58	aR	3/15	680
	250	S2UQU/110/250A/690V	004334115	60.000	63	aR	3/15	680
	280	S2UQU/110/280A/690V	004334116	100.000	75	aR	3/15	680
	300	S2UQU/110/300A/690V	004334121	140.000	85	aR	3/15	680
	315	S2UQU/110/315A/690V	004334117	175.000	95	aR	3/15	680
	355	S2UQU/110/355A/690V	004334118	220.000	100	aR	3/15	680
3	400	S2UQU/110/400A/690V	004334119	270.000	105	aR	3/15	680
	250	S3UQU/110/250A/690V	004335117	60.000	63	aR	3/12	880
	280	S3UQU/110/280A/690V	004335108	100.000	75	aR	3/12	880
	315	S3UQU/110/315A/690V	004335109	175.000	95	aR	3/12	880
	355	S3UQU/110/355A/690V	004335110	300.000	100	aR	3/12	880
	400	S3UQU/110/400A/690V	004335111	441.700	105	aR	3/12	880
	450	S3UQU/110/450A/690V	004335113	530.000	115	aR	3/12	880
	500	S3UQU/110/500A/690V	004335114	620.000	130	aR	3/12	880
	560	S3UQU/110/560A/690V	004335115	730.000	135	aR	3/12	880
	630	S3UQU/110/630A/690V	004335116	850.000	140	aR	3/12	880

Not possible for mounting NVS5 for size 1.

Dimensions:

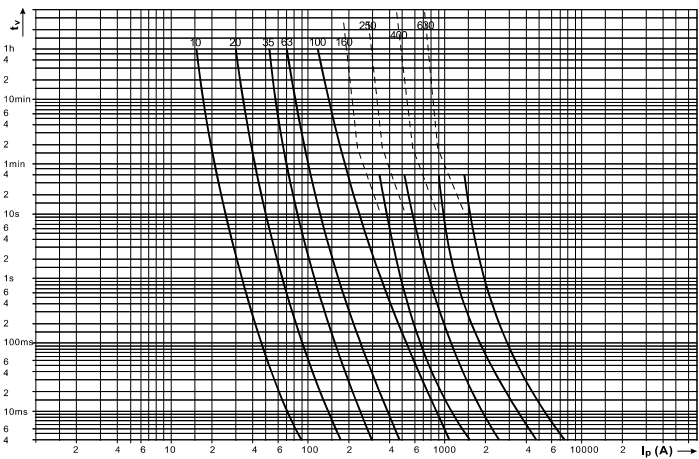
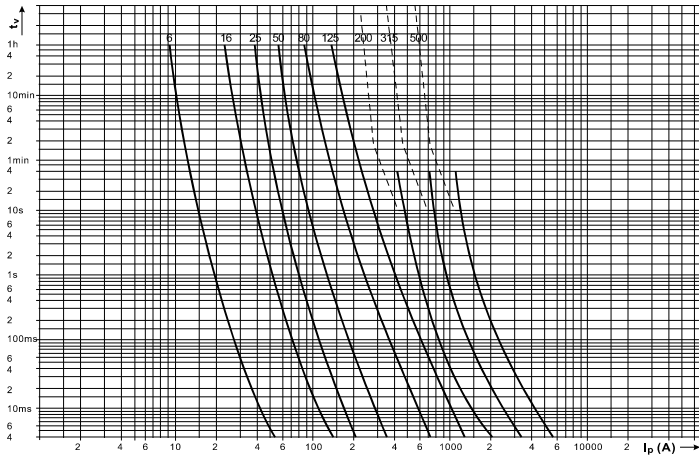


Size	A	B	D	E	F	I	J	L	N
1	140	26	46	46	57,5	11,5	110	66	75
2	140	26	57	57	71,5	11,5	110	66	75
3	140	36	69	69	81,5	11,5	110	66	75

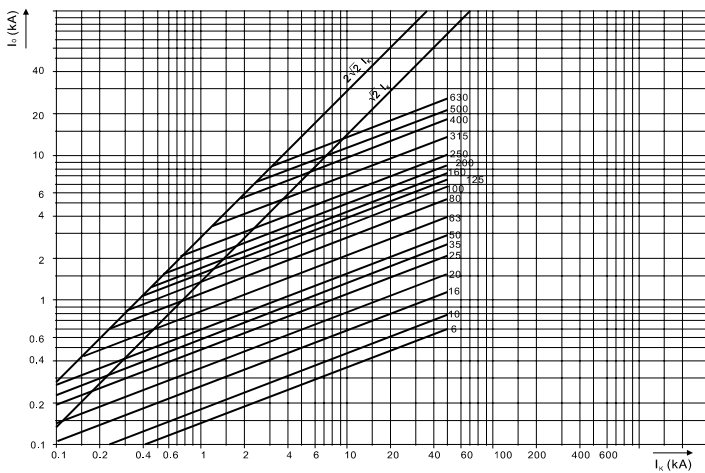
aR/gR

RATED VOLTAGE
~690V

Time/current characteristics of fuse-links Ultra Quick M, S



Cut-off characteristics of fuse-links Ultra Quick M, S

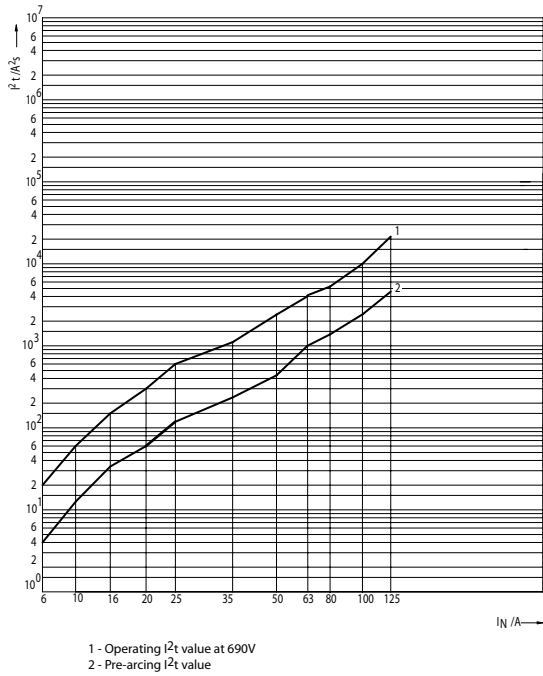


Prospective fault current ----->

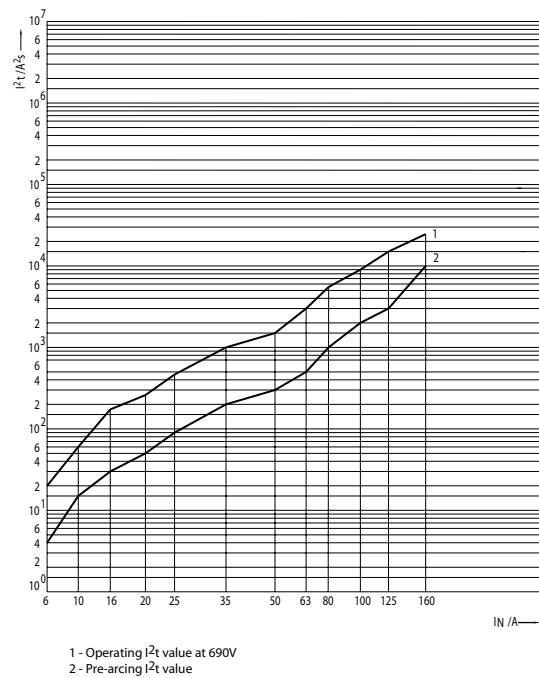
RATED VOLTAGE
~690V

aR/gR

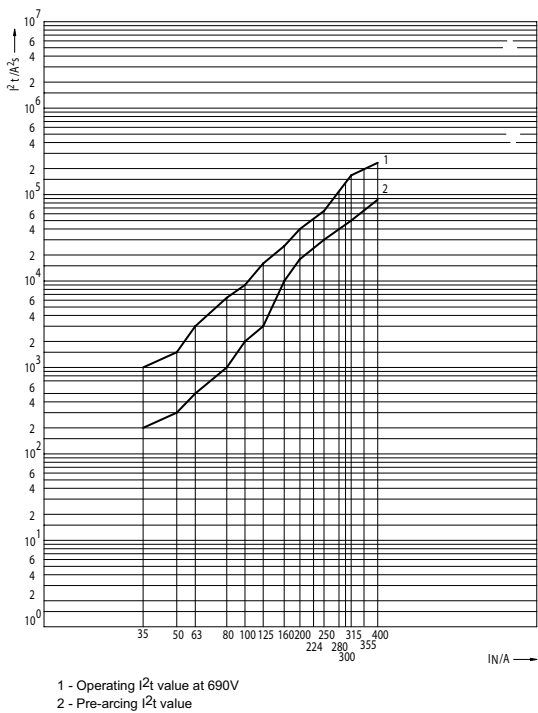
Joule Integral (I^2t) for Ultra Quick M, S - size 00C



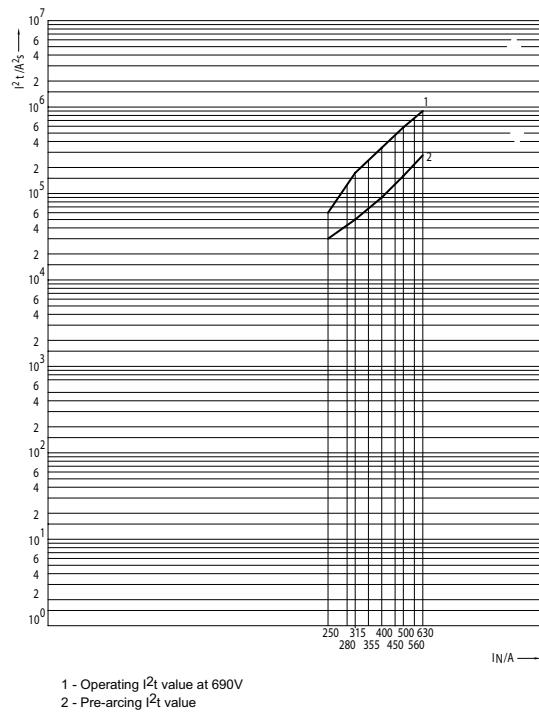
Joule Integral (I^2t) for Ultra Quick M, S - size 00 and 0



Joule Integral (I^2t) for Ultra Quick M, S - size 1, 2



Joule Integral (I^2t) for Ultra Quick M, S - size 3



CHARACTERISTICS

SYSTEM NV/NH

aR/gR

RATED VOLTAGE
~690V

Power dissipation, pre-arcing Joule Integral and Operating Joule Integral for Ultra Quick

Size	I _n	Power dissipation	Pre-arcing Joule integral I ² t (1ms)	Operating Joule Integral I ² t ~180V	Operating Joule Integral I ² t ~330V	Operating Joule Integral I ² t ~690V
	A	W	A ² s	A ² s	A ² s	A ² s
M00C, S00C	6	2,8	4	7	10	19
	10	3,3	13	22	31	62
	16	4,1	32	54	77	154
	20	5	60	103	145	290
	25	5,8	123	209	296	590
	35	8	242	410	580	1.160
	40	11	313	530	750	1.500
	50	16	490	840	1.180	2.370
	63	20	960	1.650	2.300	4.650
	80	25	1.100	1.890	2.660	5.350
	100	32	2.180	3.690	5.200	10.500
125	40	4.450	7.550	10.600	21.300	
M00, S00, M0, S0	6	2,8	4	7	10	18
	10	3,3	13	20	35	60
	16	4,1	32	56	90	170
	20	5	52	94	140	250
	25	5,8	85	160	240	460
	35	8	190	310	500	1.000
	40	11	247	403	650	1.300
	50	16	290	520	760	1.500
	63	20	500	750	1.050	3.000
	80	25	1.000	1.550	2.200	5.300
	100	32	2.000	2.800	3.900	9.000
	125	40	3.100	4.300	6.000	16.000
	160	44	10.000	12.000	18.000	24.000
M1, S1	35	8	190	300	500	1.000
	50	16	290	520	750	1.500
	63	20	500	750	1.050	3.000
	80	25	1.000	1.500	2.200	5.300
	100	32	2.000	2.800	3.900	9.000
	125	40	3.100	4.300	6.000	16.000
	160	44	10.000	12.000	18.000	24.000
	200	58	17.000	22.000	31.000	40.000
	224	60	23.000	29.000	38.000	52.000
250	63	29.000	37.000	44.500	65.000	
M2, S2	80	25	1.000	1.500	2.200	5.300
	100	32	2.000	2.800	3.900	9.000
	125	40	3.100	4.300	6.000	16.000
	160	44	10.000	12.000	18.000	24.000
	200	58	17.000	22.000	31.000	40.000
	250	63	31.000	35.500	47.600	60.000
	280	75	51.600	59.100	79.300	100.000
	300	85	45.000	50.000	65.000	140.000
	315	95	48.000	55.000	75.000	175.000
	355	100	60.300	69.100	94.200	220.000
400	105	85.000	101.000	140.000	270.000	
M3, S3	250	63	31.000	35.000	47.000	60.000
	280	75	51.600	59.100	79.300	100.000
	315	95	48.000	55.000	75.000	175.000
	355	100	60.300	69.100	94.200	300.000
	400	105	90.000	115.000	160.000	441.700
	450	115	136.000	170.000	256.000	530.000
	500	130	160.000	200.000	300.000	620.000
	560	135	231.000	300.000	395.000	730.000
630	140	270.000	348.000	460.000	850.000	

ULTRA QUICK