

ETITEC

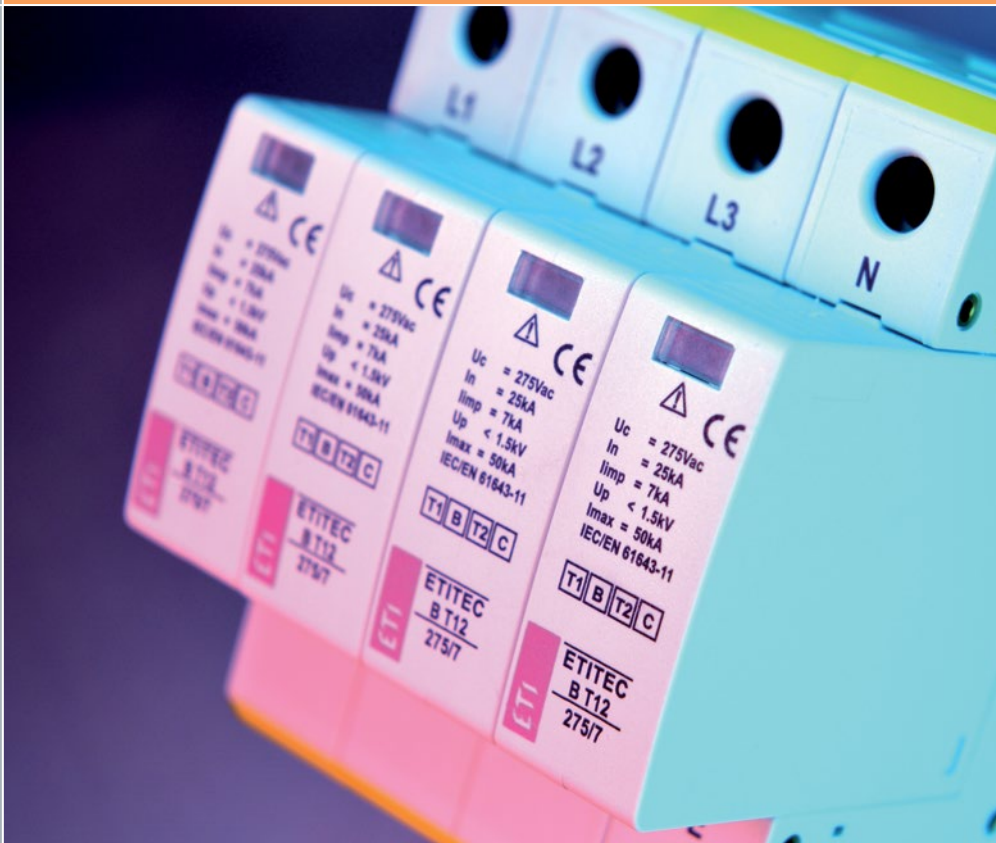
Surge arresters ETITEC V 574

Surge arresters ETITEC 580

Technical data 587

*Surge arresters for PV systems are in the Green Protect catalogue

SURGE ARRESTERS



Surge arresters ETITEC V

Surge arrester ETITEC V T12

EN/IEC/VDE: T1,T2/I,II/B,C

<p>Description</p> <ul style="list-style-type: none"> ■ Type 1 + 2 AC power surge protector ■ I_n : 20 kA ■ I_{imp} : 12,5 kA ■ Pluggable module for each phase ■ Remote signaling (option) ■ EN 61643-11 and IEC 61643-11 compliant 	<p>Type designation: ETITEC V T12 xxx/12,5 p+c RC</p> <p>xxx - U_c voltage (max. AC operating voltage), must be above network voltage. 12.5 - 12,5kA(I_{imp} at 10/350μs) p - number of poles with MOV c - 0 for MOV at NPE pole, 1 for GDT (TT systems) RC - remote contact (change over contact) for fault signalisation</p>
---	--

ETITEC



ETITEC V T12 440/12,5 3+1

ETITEC V T12							
Type	Code No.	I_{imp} (10/350) [kA]	I_n/I_{nmax} (8/20) [kA]	U_c [V AC]	Network	Weight [g]	Packaging [pcs]
ETITEC V T12 280/12,5 1+0	002442900	12,5	20/50	280	TNC	129	1/72
ETITEC V T12 440/12,5 1+0	002442901	12,5	20/50	440	IT	129	1/72
ETITEC V T12 280/12,5 2+0	002442902	12,5	20/50	280	TNC-S	260	1/36
ETITEC V T12 280/12,5 1+1	002442903	12,5	20/50	280	TT	235	1/36
ETITEC V T12 440/12,5 2+0	002442904	12,5	20/50	440	IT	260	1/36
ETITEC V T12 280/12,5 3+0	002442905	12,5	20/50	280	TNC	390	1/24
ETITEC V T12 440/12,5 3+0	002442906	12,5	20/50	440	IT	390	1/24
ETITEC V T12 280/12,5 4+0	002442907	12,5	20/50	280	TNC-S	490	1/18
ETITEC V T12 280/12,5 3+1	002442908	12,5	20/50	280	TT	492	1/18
ETITEC V T12 440/12,5 4+0	002442909	12,5	20/50	440	IT	490	1/18
ETITEC V T12 280/12,5 1+0 RC	002442910	12,5	20/50	280	TNC	129	1/72
ETITEC V T12 440/12,5 1+0 RC	002442911	12,5	20/50	440	IT	129	1/72
ETITEC V T12 280/12,5 2+0 RC	002442912	12,5	20/50	280	TNC-S	260	1/36
ETITEC V T12 280/12,5 1+1 RC	002442913	12,5	20/50	280	TT	235	1/36
ETITEC V T12 440/12,5 2+0 RC	002442914	12,5	20/50	440	IT	260	1/36
ETITEC V T12 280/12,5 3+0 RC	002442915	12,5	20/50	280	TNC	390	1/24
ETITEC V T12 440/12,5 3+0 RC	002442916	12,5	20/50	440	IT	390	1/24
ETITEC V T12 280/12,5 4+0 RC	002442917	12,5	20/50	280	TNC-S	490	1/18
ETITEC V T12 280/12,5 3+1 RC	002442918	12,5	20/50	280	TT	492	1/18
ETITEC V T12 440/12,5 4+0 RC	002442919	12,5	20/50	440	IT	490	1/18

TT configurations: 1+1 and 3+1 housing size (height=82mm)...
Housing size (height=82mm) not compatible with all modular enclosures. It complies only to ECH series and SOLID GSX.

NOT COMPATIBLE WITH ECG, ECM, ACT and ECT series!

Surge arrester ETITEC V T2

EN/IEC/VDE: T2/II/C

Description

- Type 2 AC surge protector
- I_n : 20 kA
- I_{max} : 40 kA
- Pluggable module for each phase
- Remote signaling option
- IEC 61643-11 and EN 61643-11 compliance
- UL1449 ed.4

Type designation:

ETITEC V T2 xxx/20 p+c RC

xxx - Uc voltage (max. AC operating voltage), must be above network voltage.
 20 - 20kA(In at 8/20µs)
 p - number of poles with MOV
 c - 0 for MOV at NPE pole, 1 for GDT (TT systems)
 RC - remote contact (Change over contact) for fault signalisation

ETITEC V T2

Type	Code No.	I_n/I_{max} (8/20) [kA]	U_c [V AC]	Network	Weight [g]	Packaging [pcs]
ETITEC V T2 255/20 1+0	002442952	20/40	255	TNC	107	1/72
ETITEC V T2 255/20 2+0	002442953	20/40	255	TNC-S	263	1/36
ETITEC V T2 255/20 1+1	002442954	20/40	255	TT	216	1/36
ETITEC V T2 255/20 3+0	002442955	20/40	255	TNC	319	1/24
ETITEC V T2 255/20 4+0	002442956	20/40	255	TNC-S	420	1/18
ETITEC V T2 255/20 3+1	002442957	20/40	255	TT	431	1/18
ETITEC V T2 255/20 1+0 RC	002442958	20/40	255	TNC	107	1/72
ETITEC V T2 255/20 2+0 RC	002442959	20/40	255	TNC-S	263	1/36
ETITEC V T2 255/20 1+1 RC	002442960	20/40	255	TT	216	1/36
ETITEC V T2 255/20 3+0 RC	002442961	20/40	255	TNC	319	1/24
ETITEC V T2 255/20 4+0 RC	002442962	20/40	255	TNC-S	420	1/18
ETITEC V T2 255/20 3+1 RC	002442963	20/40	255	TT	431	1/18
ETITEC V T2 440/20 1+0 RC	002442964	20/40	440	TNC	107	1/72
ETITEC V T2 440/20 2+0 RC	002442965	20/40	440	TNC-S	263	1/36
ETITEC V T2 440/20 3+0 RC	002442966	20/40	440	TNC	319	1/24
ETITEC V T2 440/20 4+0 RC	002442967	20/40	440	TNC-S	420	1/18



ETITEC V T2 255/20 3+0

Type 2 multipole SPDs

Description

- Compact single-phase Type 2 / Compact 3-phase Type 2
- I_n : 20 kA
- I_{max} : 40 kA
- Pluggable module
- Remote signaling contact (option)
- EN 61643-11 and IEC 61643-11 compliant

Type designation:

ETITEC V 2T2 xxx/20 p+c RC

xxx - Uc voltage (max. AC operating voltage), must be above network voltage.

20 - 20kA(I_n at 8/20 μ s)

p - number of poles with MOV

c - 0 for MOV at NPE pole, 1 for GDT (TT systems)

RC - remote contact (Change over contact) for fault signalisation



ETITEC V 2T2 255/20 2+0 RC



ETITEC V 2T2 255/20 4+0

ETITEC V 2T2

Type	Code No.	I_n/I_{max} (8/20) [kA]	U_c [V AC]	Network	Weight [g]	Packaging [pcs]
ETITEC V 2T2 255/20 2+0	002442940	20/40	255	TNC-S	131	1/72
ETITEC V 2T2 440/20 2+0	002442941	20/40	440	TNC-S	131	1/72
ETITEC V 2T2 255/20 1+1	002442942	20/40	255	TT	140	1/72
ETITEC V 2T2 255/20 4+0	002442943	20/40	255	TNC-S	380	1/36
ETITEC V 2T2 440/20 4+0	002442944	20/40	440	TNC-S	380	1/36
ETITEC V 2T2 255/20 3+1	002442945	20/40	255	TT	240	1/36
ETITEC V 2T2 255/20 2+0 RC	002442946	20/40	255	TNC-S	131	1/72
ETITEC V 2T2 440/20 2+0 RC	002442947	20/40	440	TNC-S	131	1/72
ETITEC V 2T2 255/20 1+1 RC	002442948	20/40	255	TT	140	1/72
ETITEC V 2T2 255/20 4+0 RC	002442949	20/40	255	TNC-S	380	1/36
ETITEC V 2T2 440/20 4+0 RC	002442950	20/40	440	TNC-S	380	1/36
ETITEC V 2T2 255/20 3+1 RC	002442951	20/40	255	TT	240	1/36

Type 3 (weak type2) multipole SPDs

Description

- Compact single-phase SPD / Compact 3-phase SPD
- I_n : 5 kA
- I_{max} : 15 kA
- Pluggable module
- Remote signaling contact (option)
- IEC 61643-11 and EN 61643-11 compliant

Type designation:

ETITEC V 2T3 xxx/5 p+c RC

xxx - Uc voltage (max. AC operating voltage), must be above network voltage.

5 - 5kA(I_n at 8/20 μ s)

p - number of poles with MOV

c - 0 for MOV at NPE pole, 1 for GDT (TT systems)

RC - remote contact (Change over contact) for fault signalisation

Hard-wired AC Surge Protectors

Description - ETITEC L3 255/3/6

- Ultra Compact Type 3 surge protectors for 230 Vac networks
- Mounting on plate or terminal
- Disconnection signaling by buzzer or Led system
- 24 V AC or DC version available
- EN 61643-11, IEC 61643-11 and UL1449 4ed. compliant

ETITEC L3 255/3/6

These very compact surge protectors can be integrated in the very small volumes of certain lights (linear LEDs).

The surge protection circuit is equipped with an end of life indicator buzzer in order to indicate the disconnection of the surge protector.

Description - ETITEC L3 255/3/10

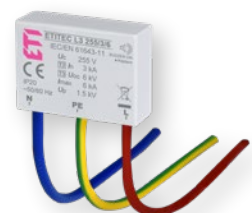
- Compact Type 2 and 3 surge protectors
- Wall mounting and hard wired connection
- UL1449 4ed. and IP 66
- Status indicators
- EN 61643-11, IEC 61643-11 and UL1449 4ed. compliant

ETITEC V 2T3

Type	Code No.	I_n/I_{max} (8/20) [kA]	U_{oc} [kV]	U_c [V AC]	Network	Weight [g]	Packaging [pcs]
ETITEC V 2T3 255/5 2+0	002442968	5/15	10	255	TNC-S	104	1/72
ETITEC V 2T3 440/5 2+0	002442969	5/15	10	440	TNC-S	104	1/72
ETITEC V 2T3 255/5 1+1	002442970	5/15	10	255	TT	111	1/72
ETITEC V 2T3 255/5 4+0	002442971	5/15	10	255	TNC-S	218	1/36
ETITEC V 2T3 440/5 4+0	002442972	5/15	10	440	TNC-S	218	1/36
ETITEC V 2T3 255/5 3+1	002442973	5/15	10	255	TT	218	1/36
ETITEC V 2T3 255/5 2+0 RC	002442974	5/15	10	255	TNC-S	104	1/72
ETITEC V 2T3 440/5 2+0 RC	002442975	5/15	10	440	TNC-S	104	1/72
ETITEC V 2T3 255/5 1+1 RC	002442976	5/15	10	255	TT	111	1/72
ETITEC V 2T3 255/5 4+0 RC	002442977	5/15	10	255	TNC-S	218	1/36
ETITEC V 2T3 440/5 4+0 RC	002442978	5/15	10	440	TNC-S	218	1/36
ETITEC V 2T3 255/5 3+1 RC	002442979	5/15	10	255	TT	218	1/36
ETITEC L3 255/3/6	002442987	3/6	6	255	TNC-S 1ph.	20	1/72



ETITEC V 2T3 255/5 3+1



ETITEC L3 255/3/6

LED lighting protection

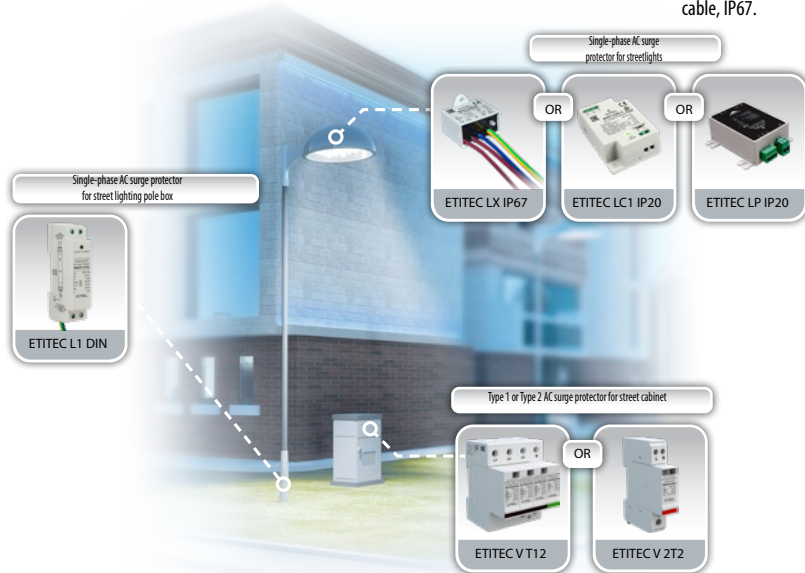
ETITEC LC1 IP20 range is a compact solution surge protectors to be installed in small spaces. These devices are available in 2 types of connectors (screw terminal or spring) and in two orientations wiring (input / output opposite or input / output on the same side) in order to adapt to the installation as much as possible. In cases of extreme aggression, lightning LC1 will be in a state of safe end of life: the indication of failure (disconnection) of the surge protector is performed by the extinction of an indicator and switching off the AC (extinction street luminaire) inform the user of the need for maintenance.

ETITEC LX range is an ultra compact surge protection solution for installation in extremely tight spaces. These surge protectors are available with an output by drivers and fixing bracket. In the end of life of security the LX indicates its failure (disconnection) by the extinction of an indicator and AC power supply switching off (extinction of the candelabra) inform the user of the need for maintenance. They are available in IP67.

ETITEC LP range is a complete range of AC surge protectors specifically designed for the protection of LED lighting systems at the lantern. Many versions have been proposed to meet the various existing configurations : surge protection devices are available in different isolation classes (Class 1, Class 2) and connection type (wire or screw terminal). Some versions are equipped with additional protection for data line option (RS485,DALI, 0-10V) to provide a complete solution for LED systems with control lines. In cases of extreme aggression, the surge protector will be in a state of retirement security: according to the different versions available, an indication of the failure of the surge protector is performed by the extinction of an indicator, a AC power supply failure and / or through a remote signalisation.

ETITEC L1 DIN device is installed inside the bottom of the lighting pole: its very compact dimension allows a easy integration with the connection box, on DIN rail . L1 is based on a powerful association of MOV and GDT components, secured by thermal disconnecter and connection light indicator.

Type	Description	Characteristics	Properties	Network
ETITEC L1 DIN	DIN surge protector type 2 or 3	Compact. Montage DIN	Type 2+3, CM/DM, mounted in connection box on DIN rail.	
ETITEC LP1 IP20	Hard-wired surge protector type 2 or 3	Remote signaling and data in option	Type 2 + 3, protection class I (GDT to earth), screw terminal.	Supply 230 V AC
ETITEC LP2 IP20			Type 2 + 3, protection class II, screw terminal for double insulated fixtures.	
ETITEC LC1 IP20	Compact, hard-wired surge protector type 2 and type 3	Compact. Many configurations	Type 2 + 3, protection class I (GDT to earth), screw terminal, very compact	
ETITEC LX1 IP67	Ultra-compact hard-wired surge protector type 2+3	Ultra compact IP67 VG Technology	Type 2 + 3, protection class I (GDT to earth), connection cable, IP67.	
ETITEC LX2 IP67			Type 2 + 3, protection class II for double insulated fixtures, connection cable, IP67.	



Surge arresters

ETITEC LC1 IP20

- Type 2 (or 3) surge protectors for LED lighting
- Very compact
- Plate mounting
- Screw terminal or spring terminal connection
- Status indicator
- End of life AC Disconnection
- IEC 61643-11 and EN 61643-11 compliance

ETITEC LX

- Ultra compact Type 2 + 3 surge protector for 230 Vac networks
- For Classe I and Classe II
- Wall mounting and hard wired connection
- Breakable mounting bracket
- Protection rating : IP67
- Disconnection signaling by indicator
- AC disconnection in case of end of life

ETITEC LP1 and LP2

- Type 2 (or 3) surge protector
- Class I or Class II configurations
- Comprehensive range for all configurations
- Compact dimensions
- IP65 version
- Combined AC/Dateline version
- Wire connection
- Max. discharge current 10 kA
- IEC 61643-11 and EN 61643-11 compliant

ETITEC L1 DIN

- Type 2 (or 3) surge protectors for Led
- Very compact (low profile)
- DIN rail mounting
- Screw terminal connection
- Status indicator
- Disconnection AC end of life
- IEC 61643-11 and EN 61643-11 compliance

LED lighting protection

Type	Code No.	I_n/I_{max} (8/20) [kA]	Uoc [kV]	U_c [V AC]	I_L [A]	Weight [g]	Packaging [pcs]
ETITEC LC1 IP20	002442980	5/10	10	320	5	35	1/36
ETITEC LP1 IP20	002442981	5/10	10	305	2,5	79	1/36
ETITEC LP2 IP20	002442982	5/10	10	305	2,5	79	1/36
ETITEC LX1 IP67	002442983	5/10	10	320	10	52	1/36
ETITEC LX2 IP67	002442984	5/10	10	320	10	52	1/36
ETITEC L1 DIN	002442985	5/10	10	320	10	107	1/72



ETITEC LC1 IP20



ETITEC LP2 IP20



ETITEC LX1 IP67



ETITEC LP1 IP20



ETITEC L1 DIN



ETITEC LX2 IP67

Surge arresters ETITEC

Surge arrester ETITEC T WENT group B, EN/IEC/VDE: T1, T2 /I,II/B+C

Advantages:

- remote signalisation - auxiliary contact (only RC type)
- mounting on DIN rail
- connection up to 35mm²
- high discharge currents
- high degree of protection
- varistor is the protective element
- IEC/EN 61643-11
- RoHS compliant

Description

ETITEC T WENT is surge arrester for indoor installation, internal protection of electrical system. Group WENT surge protection is in accordance with VDE class B, C. This protection corresponds to IEC category I, II. The protection is made on the main distribution box, as the first level of protection against lightning strikes and partial direct or indirect strikes. It's compact design demands small requirement for space for a complete 3-phase protection. It can be used in single or three phase network systems: TT, TNC, TNC-S. In case of permanent arrester damage, thermal protection is activated which signalizes faulty arrester.

*Note: First number of designation 1+0, 2+0, 3+1 etc. indicates the number of varistors. Second one means the following: number 0 indicates there is no gas discharge tube (GDT), number 1 indicates there is. GDT element is required in TT systems.

ETITEC T WENT I _{imp} =25kA								
Type	Code No.	I _{imp} (10/350) [kA]	I _n /I _{max} (8/20) [kA]	U _c [V AC]	Network	Weight [g]	Packaging [pcs]	
ETITEC T WENT 320/25 1+0	002440364	25	25/100	320	TNC	295	1/7	
ETITEC T WENT 320/25 2+0	002440366	25	25/100	320	TNC-S	560	1/3	
ETITEC T WENT 320/25 1+1	002440367	25	25/100	320	TT	490	1/3	
ETITEC T WENT 320/25 3+0	002440368	25	25/100	320	TNC	840	1/3	
ETITEC T WENT 320/25 3+1	002440369	25	25/100	320	TT	1050	1/2	
ETITEC T WENT 320/25 4+0	002440370	25	25/100	320	TNC-S	1120	1/2	
ETITEC T WENT 320/25 1+0 RC	002440365	25	25/100	320	TNC	300	1/7	
ETITEC T WENT 320/25 2+0 RC	002440371	25	25/100	320	TNC-S	570	1/3	
ETITEC T WENT 320/25 1+1 RC	002440372	25	25/100	320	TT	490	1/3	
ETITEC T WENT 320/25 3+0 RC	002440373	25	25/100	320	TNC	860	1/3	
ETITEC T WENT 320/25 3+1 RC	002440374	25	25/100	320	TT	1060	1/2	
ETITEC T WENT 320/25 4+0 RC	002440375	25	25/100	320	TNC-S	1140	1/2	

* RC → remote signalisation



ETITEC T WENT 320/25 3+1 RC

Surge arrester ETITEC ML T123

EN/IEC/VDE: T1, T2, T3 / I, II, III / B+C+D

ETITEC ML T123 is a surge arrester for complete overvoltage protection in standard modular housing. Protection corresponds to all categories of overvoltage protections: IEC categories I, II, III and EN Type 1, Type 2, Type 3. Groups B, C, D by VDE. It's intended for installation in main distribution board or in power distribution enclosure in front of energy meter, as the first level of protection against lightning strikes, partial direct, indirect atmospheric discharges and induced surges. Due to the housing of standard modular size, it can be installed also in any sub-distribution board.

In case of permanent arrester damage, thermal protection is activated which signalizes faulty arrester. Consequently only the SPD module has to be replaced, while base unit remains fixed on DIN rail.

Compliance: IEC 61643-11:2011, EN 61643-11:2012+A11:2018

Advantages:

- remote signalisation (RC version only)
- DIN rail mounting (EN 60715)
- spring-loaded fixing for easy mounting on DIN rail
- latching mechanism for extra reliable module holding
- High performance MOV inside
- The earth connection terminal allows additional connection 2nd earth conductor (V connection type)
- Coding system prevents wrong module insertion
- Each module is equipped with a thermal disconnection system which disconnects faulty device from power supply in case of MOV overload due to high energy surge, TOV or ageing
- connection up to 35mm²

ETITEC ML T123

Type	Code No.	I _{imp} (10/350) [kA]	I _n /I _{max} L-N/N-PE (8/20) [kA]	U _c [V AC]	Network	Weight [g]	Packaging [pcs]
ETITEC ML T123 300/12,5 1+0	002440661	12,5	20/40	300	TNC	161	1/12
ETITEC ML T123 300/12,5 1+0 RC	002440662	12,5	20/40	300	TNC	182	1/12
ETITEC ML T123 300/12,5 2+0	002440663	12,5	20/40	300	TNC-S	344	1/7
ETITEC ML T123 300/12,5 2+0 RC	002440664	12,5	20/40	300	TNC-S	353	1/7
ETITEC ML T123 300/12,5 3+0	002440665	12,5	20/40	300	TNC	553	1/5
ETITEC ML T123 300/12,5 3+0 RC	002440666	12,5	20/40	300	TNC	562	1/5
ETITEC ML T123 300/12,5 4+0	002440667	12,5	20/40	300	TNC-S	680	1/4
ETITEC ML T123 300/12,5 4+0 RC	002440668	12,5	20/40	300	TNC-S	689	1/4
ETITEC ML T123 300/12,5 1+1	002440669	12,5	20/40+50/100	300	TN, TT	332	1/7
ETITEC ML T123 300/12,5 1+1 RC	002440670	12,5	20/40+50/100	300	TN, TT	338	1/7
ETITEC ML T123 300/12,5 3+1	002440671	12,5	20/40+50/100	300	TN, TT	667	1/4
ETITEC ML T123 300/12,5 3+1 RC	002440672	12,5	20/40+50/100	300	TN, TT	676	1/4

* RC -> remote signalisation.

**The first digit of the value (1+0), (1+1), (2+0), (3+0), (3+1), (4+0) indicates the number of varistors (MOVs); the second digit of the value (1+0), (1+1), (2+0), (3+0), (3+1), (4+0) shows the presence (1) or absence (0) of the GDT element (TT network systems);

note: the values of I_{imp} and I_n/I_{max} - indicated per one pole



ETITEC ML T123 300/12,5 2+0



ETITEC ML T123 300/12,5 3+0



ETITEC ML T123 300/12,5 3+1

Surge arrester ETITEC group C T2

EN/IEC/VDE: T2/II/C

Advantages:

- optical indication of faulty device (green ok, red false)
- remote signalisation (RC version only)
- DIN rail mounting (EN 60715)
- high discharge currents
- high degree of protection
- varistor is the protective element
- metal snapper, new way of mounting on DIN rail (easier, quicker)
- round-off shape compatible with ETIMAT
- modular design
- IEC/EN 61643-11
- RoHS compliant
- connection up to 35mm²

Description

ETITEC C T2 is surge arrester for indoor application. Group C surge protection is in accordance with VDE class C. This protection corresponds to IEC class II. The protection is made at the subdistribution board, as the second level of protection against overvoltage indirect lightning strikes. In case of permanent arrester damage, thermal protection is activated which signalize faulty arrester. ETITEC C T2 255/20 G is an overvoltage arrester with gas discharge tube for protection against indirect lightning strikes. It is used as a galvanic separation between N-PE conductor in TT network systems.

*Note: First number of designation 1+0, 2+0, 3+1 etc. indicates the number of varistors. Second one means the following: number 0 indicates there is no gas discharge tube, number 1 indicates there is.



ETITEC C T2 275/20 1+0 ETITEC C T2 275/20 1+0 RC



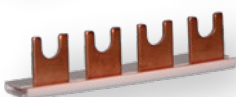
ETITEC C T2 275/20 4+0



MODUL ETITEC C T2 275/20



IZ16/1F/2/ETITEC IZ16/1F/3/ETITEC



IZ16/1F/3/ETITEC

ETITEC C T2

Type	Code No.	$I_n / I_{n\max}$ (8/20) [kA]	U_c [V AC]	Network	Weight [g]	Packaging [pcs]
ETITEC C T2 275/20 1+0	002440393	20/40	275 VAC	TNC	128	1/12
ETITEC C T2 275/20 1+0 RC	002440394	20/40	275 VAC	TNC	133	1/12
ETITEC C T2 275/20 4+0	002440395	20/40	275 VAC	TNC-S	456	1/3
ETITEC C T2 275/20 4+0 RC	002440396	20/40	275 VAC	TNC-S	471	1/3
ETITEC C T2 275/20 2+0	002440397	20/40	275 VAC	TNC-S	244	1/7
ETITEC C T2 275/20 2+0 RC	002440398	20/40	275 VAC	TNC-S	249	1/7
ETITEC C T2 275/20 3+0	002440399	20/40	275 VAC	TNC	352	1/5
ETITEC C T2 275/20 3+0 RC	002440400	20/40	275 VAC	TNC	357	1/5
ETITEC C T2 275/20 1+1	002440401	20/40	275 VAC	TT	225	1/7
ETITEC C T2 275/20 1+1 RC	002440402	20/40	275 VAC	TT	230	1/7
ETITEC C T2 275/20 3+1	002440403	20/40	275 VAC	TT	441	1/3
ETITEC C T2 275/20 3+1 RC	002440404	20/40	275 VAC	TT	446	1/3
ETITEC C T2 440/20 1+0	002440405	20/40	440 VAC	IT	130	1/12
ETITEC C T2 440/20 1+0 RC	002440406	20/40	440 VAC	IT	145	1/12
ETITEC C T2 440/20 4+0	002440407	20/40	440 VAC	IT	466	1/3
ETITEC C T2 440/20 4+0 RC	002440408	20/40	440 VAC	IT	471	1/3
ETITEC C T2 440/20 2+0	002440409	20/40	440 VAC	IT	247	1/7
ETITEC C T2 440/20 2+0 RC	002440410	20/40	440 VAC	IT	252	1/7
ETITEC C T2 440/20 3+0	002440411	20/40	440 VAC	IT	356	1/5
ETITEC C T2 440/20 3+0 RC	002440412	20/40	440 VAC	IT	361	1/5
ETITEC C T2 255/20 G	002440413	20/40	255 VAC		118	1/12
MODUL ETITEC C T2 275/20	002440414	20/40	275 VAC		56	12/12
MODUL ETITEC C T2 440/20	002440415	20/40	440 VAC		58	12/12
MODUL ETITEC C T2 255/20 G	002440416	20/40	255 VAC		36	12/12

* RC -> remote signalisation Note: In - defined per single pole

Connection terminals

Type	code No.	weight [g]	packaging [pcs]	Connection terminals for
IZ16/1F/2/ETITEC	002921081	9	50/600	2 modules connection
IZ16/1F/3/ETITEC	002921082	15	50/600	3 modules connection
IZ16/1F/4/ETITEC	002921083	20	50/600	4 modules connection

For module width 17,8 mm.

Surge arrester ETITEC group CM T2+T3

EN/IEC/VDE: T2,T3 / II,III/C,D

Description

Compact single-phase Type 2 / Compact 3-phase Type 2

I_n : 20 kA

I_{max} : 40 kA

Location of Use: Sub-distribution Boards

Mode of Protection: L-PE, N-PE

IEC/EN Category: Class II+III / Type 2+3

Housing: Modular Design, Pluggable module (possible to replace)

Mounting: 35mm DIN rail

Compliance: IEC 61643-11:2011 EN 61643-11:2012+A11:2018

Fault indication: visual - red flag (false)

Remote signaling contact as an option (RC)

Type designation:

ETITEC CM T23 xxx/20 p+c RC

xxx - U_c voltage (max. AC operating voltage), must be above network voltage.

20 - 20kA (I_n at 8/20us)

p - number of poles with MOV

c - 0 for MOV at NPE pole, 1 for GDT (TT systems)

RC - remote contact (Change over contact) for fault signalisation

Advantages:

- space saving (reduces required space in distribution board by 50%)
- remote signalisation (RC version only)
- DIN rail mounting (EN 60715)
- varistor is the protective element
- metal snapper, new way of mounting on DINrail (easier, quicker)
- modular design
- IEC/EN 61643-11
- RoHS compliant
- connection up to 35mm²

ETITEC CM

Type	Code No.	I_n/I_{max} (8/20) [kA]	U_{oc} [kV]	U_c [V AC]	Network	Weight [g]	Packaging [pcs]
ETITEC CM T23 275/20 2+0	002440650	20/40	6	275	TNS	152	1/15
ETITEC CM T23 275/20 2+0 RC	002440651	20/40	6	275	TNS	157	1/15
ETITEC CM T23 275/20 4+0	002440652	20/40	6	275	TNS	281	1/8
ETITEC CM T23 275/20 4+0 RC	002440653	20/40	6	275	TNS	287	1/8
ETITEC CM T23 275/20 1+1	002440654	20/40	6	275	TT/TNS	207	1/15
ETITEC CM T23 275/20 1+1 RC	002440655	20/40	6	275	TT/TNS	212	1/15
ETITEC CM T23 275/20 3+1	002440656	20/40	6	275	TT/TNS	413	1/8
ETITEC CM T23 275/20 3+1 RC	002440657	20/40	6	275	TT/TNS	419	1/8
MOD.ETITEC CM T23 275/20	002440658	20/40	6	275	-	78,5	1/24
MOD.ETITEC CM T23 275/20 G	002440659	20/40	6	255	-	65,5	1/24

* RC -> remote signalisation. Note: I_n/I_{max} - defined per single pole



ETITEC CM T23 275 20 (4+0, 2p, TNC-S)

Surge arrester ETITEC group D T3

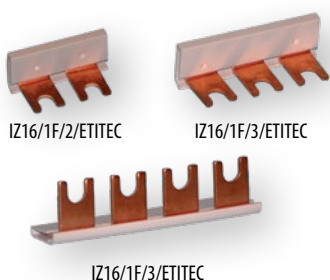
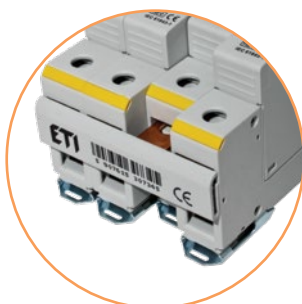
EN/IEC/VDE: T3/III/D



ETITEC D T3 275/3 1+0 RC



MODUL ETITEC DT3 275/3



Description

ETITEC D T3 is a surge arrester for indoor application. Group D surge protection is in accordance with VDE class D. This protection corresponds to IEC category III, EN Type 3. The protection should be installed immediately before the protected load. This is protection against indirect lightning strikes. In case of permanent arrester damage, thermal protection is activated, which signalizes faulty arrester. Consequently only the SPD module has to be replaced, while base unit remains fixed on DIN rail.

Advantages:

- optical indication of faulty device (green ok, red false)
- remote signalisation (RC version only)
- DIN rail mounting (EN 60715)
- high discharge currents
- high degree of protection
- varistor is the protective element
- metal snapper, new way of mounting on DIN rail (easier, quicker)
- round-off shape compatible with ETIMAT
- modular design
- IEC/EN 61643-11
- RoHS compliant
- connection up to 35mm²

ETITEC D T3

Type	Code No.	U _{oc} /I _n (8/20) [kA]	U _c [V AC]	Weight [g]	Packaging [pcs]
ETITEC D T3 275/3 1+0	002440417	10kV/3kA	275	130	1/12
ETITEC D T3 275/3 1+0 RC	002440418	10kV/3kA	275	135	1/12
ETITEC D T3 440/3 1+0	002440419	10kV/3kA	440	132	1/12
ETITEC D T3 440/3 1+0 RC	002440420	10kV/3kA	440	137	1/12
MODUL ETITEC D T3 275/3	002440421	10kV/3kA	275	58	12
MODUL ETITEC D T3 440/3	002440422	10kV/3kA	440	60	12

* RC -> remote signalisation
Note: I_n - defined per single pole

Connection terminals

Type	code No.	weight [g]	packaging [pcs]	Connection terminals for
IZ16/1F/2/ETITEC	002921081	9	50/600	2 modules connection
IZ16/1F/3/ETITEC	002921082	15	50/600	3 modules connection
IZ16/1F/4/ETITEC	002921083	20	50/600	4 modules connection

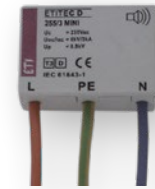
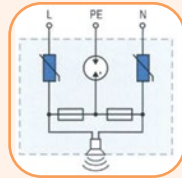
For module width 17,8 mm.

Application: Connection terminals are designed to connect modular surge ETITEC for multi-module assemblies (multi). Connections are made at the terminals ground - PE

Surge arresters

ETITEC D 255/3 MINI

Type	Code No.	Weight [g]	Packaging [pcs]
ETITEC D 255/3 MINI	002441632	25	1



ETITEC FILT D 20/275F 8A G is an electromagnetic interference (EMI) and overvoltage protective device of class III. It is designed for complete protection and is installed directly in front of protected devices on DIN rail. Protected electrical device is safe against effects of overvoltage, electrostatic voltage and electromagnetic interferences. These disturbances, which are present in all electrical systems, are caused by other electrical devices, by switching manoeuvres, by defects in electrical network and by other activities, such as welding.

Applications: Protecting devices such as: TV, PC, Server, Control and regulation devices,...

ETITEC FILT D

Type	Code No.	Weight [g]	Packaging [pcs]
ETITEC FILT D 20/275F 8A G	002441712	94	1

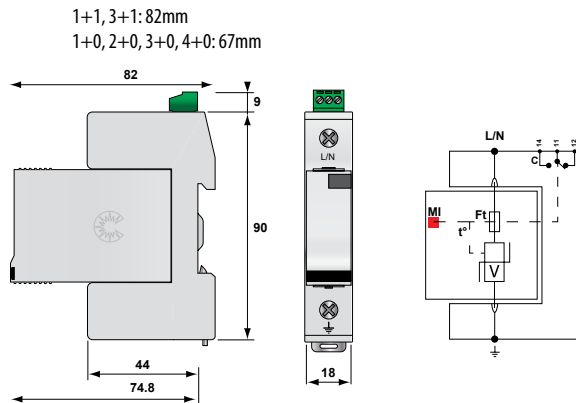


Surge arrester ETITEC V T12

EN/IEC/VDE: T1,T2 /I,II/B,C

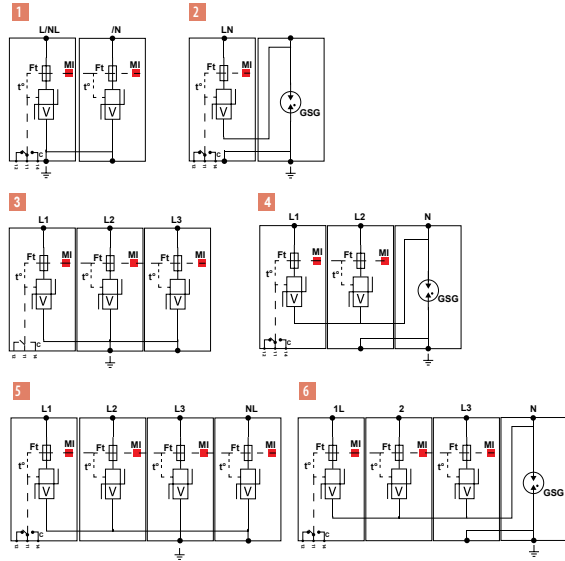
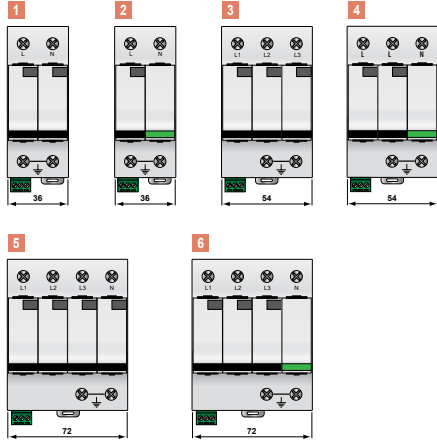
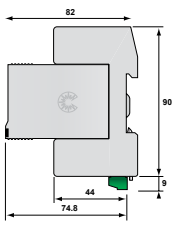
ETITEC V T limp=12,5kA			
Type		ETITEC V T12 280	ETITEC V T12 400
Description		1+2 AC surge protector - 1-pole	
Rated. AC voltage	U _o	230/400	230/400 V
Max. AC operating voltage	U _c	280 VAC	440 VAC
Temporary Over Voltage (TOV) Characteristics - 5 sec.	UT	335 Vac withstand	580 Vac withstand
Temporary Over Voltage (TOV) Characteristics -120 min	UT	440 Vac disconnection	770 Vac disconnection
Residual current - Leakage current at U _c	I _{pe}	< 1 mA	< 1 mA
Follow current	I _f	x	x
Nominal discharge current - 15 x 8/20 μs impulses	I _n	20 kA	20 kA
Max. discharge current -max. withstand @ 8/20 μs by pole	I _{max}	50 kA	50 kA
Impulse current by pole - max. withstand 10/350μs	I _{imp}	12,5 kA	12,5 kA
Specific energy by pole	W/R	40 kJ/ohm	40 kJ/ohm
Protection level	U _p	1,3 kV	1,7 kV
Admissible short-circuit current	I _{sc}	25000 A	25000 A
Current Source generator		1mA	
Un min (MOV)		387 V AC	
Un max (MOV)		473 V AC	
Associated disconnectors			
Thermal disconnector		internal	
Fuses		Fuses Type gG - 125 A	
Installation ground fault breaker		Type "S" or delayed	
Mechanical characteristics			
Dimensions		see diagram	
Connection to Network		By screw terminals: 2,5-25 mm ² / by bus	
Disconnection indicator		1 mechanical indicator	
Remote signaling of disconnection		output on changeover contact	
Mounting		Symmetrical rail 35 mm (EN60715)	
Operating temperature		-40 ... +85°C	
Protection rating		IP20	
Housing material		Thermoplast UL94-V0	
Standards compliance		IEC 61643-11 / EN 61643-11	

Dimensions



V: High energy MOV
MI: Disconnection indicator
Ft: Thermal fuse
t°: Thermal disconnection mechanism
C: contact for remote signal

1+1, 3+1: 82mm
 1+0, 2+0, 3+0, 4+0: 67mm



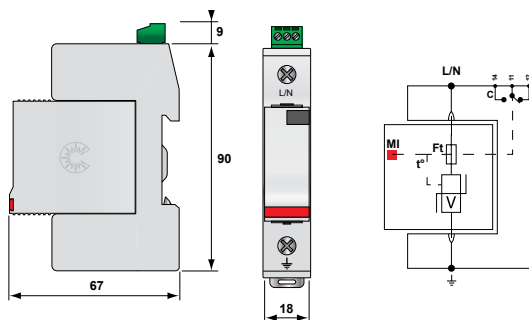
V: High energy MOV
 GSG: Specific gas tube
 MI: Disconnection indicator
 Ft: Thermal fuse
 t*: Thermal disconnection mechanism
 C: Contact for remote signal

Surge arrester ETITEC V T2

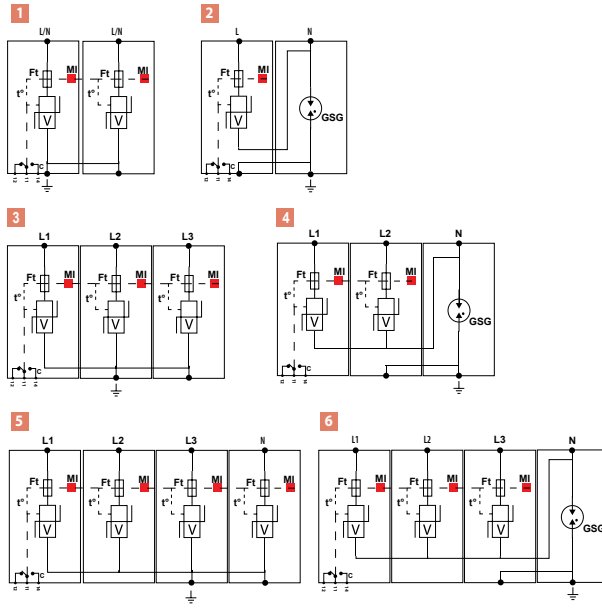
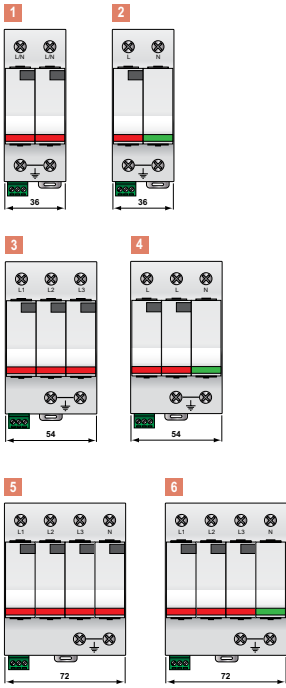
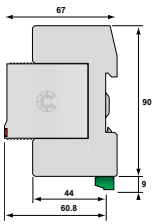
EN/IEC/VDE: T2/II/C

ETITEC V T2			
Type		ETITEC V T2 255	ETITEC V T2 440
Description		Type 2 AC surge protector - one-phase - pluggable	
Network	U _o	230/400 V	230/400 V
Max. AC operating voltage	U _c	255 VAC	440 VAC
Temporary Over Voltage (TOV) Characteristics - 5 sec.	UT	335 Vac withstand	580 Vac withstand
Temporary Over Voltage (TOV) Characteristics - 120 min	UT	440 Vac disconnection	770 Vac disconnection
Residual current - Leakage current at U _c	I _{pe}	< 1 mA	< 1 mA
Follow current	I _f	x	x
Nominal discharge current - 15 x 8/20 μs impulses	I _n	20 kA	20 kA
Max. discharge current -max. withstand @ 8/20 μs by pole	I _{max}	40 kA	40 kA
Protection level	U _p	1,25 kV	1,8 kV
Admissible short-circuit current	I _{scrr}	25000 A	25000 A
Current Source generator		1mA	
U _n min (MOV)		387 V AC	
U _n max (MOV)		473 V AC	
Associated disconnectors			
Thermal disconnector		internal	
Fuses		gG 125 A	
Installation ground fault breaker		Type "S" or delayed	
Mechanical characteristics			
Dimensions		see diagram	
Connection to Network		By screw terminals: 2,5-25 mm ² / by bus	
Disconnection indicator		1 mechanical indicator	
Remote signaling of disconnection		output on changeover contact	
Mounting		Symmetrical rail 35 mm (EN60715)	
Operating temperature		-40 ... +85°C	
Protection rating		IP20	
Housing material		Thermoplast UL94-V0	
Standards compliance		IEC 61643-11 / EN 61643-11	

Dimensions



V: High-energy varistor
 Ft: Thermal fuse
 C: Remote signaling contact
 t*: Thermal disconnection system
 Mi: Disconnection indicator



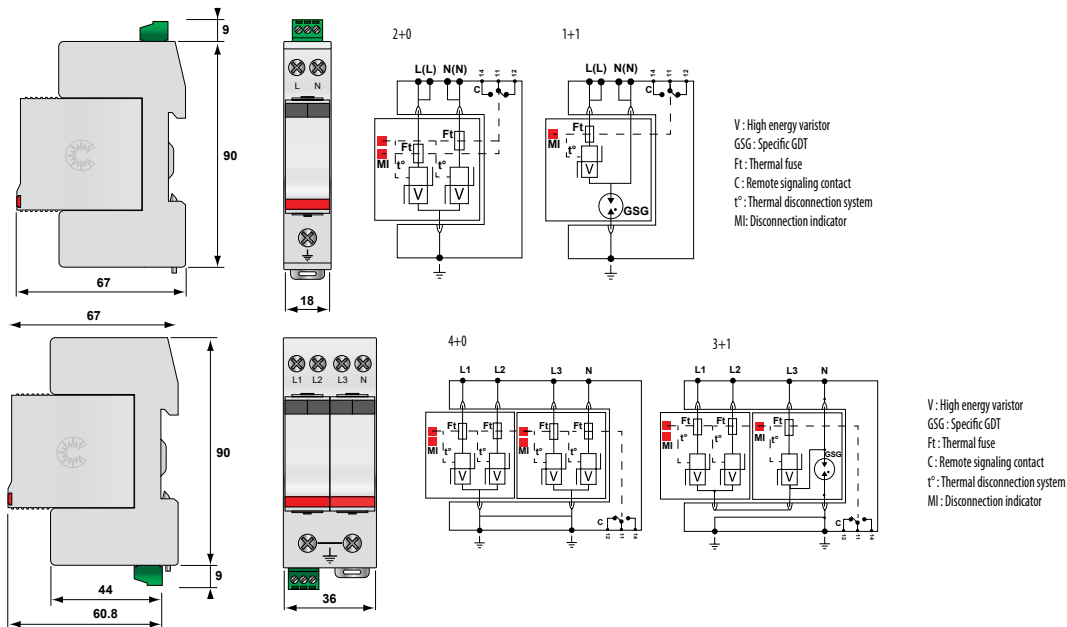
V: High-energy varistor
 GSG: Specific gas tube
 Ft: Thermal fuse
 C: Remote signaling contact
 t²: Thermal disconnection system
 MI: Disconnection indicator

Type 2 multipole SPDs

ETITEC V 2T2

Description	Compact 1-phase Type 2 Surge Protector - 230 V - Pluggable			Compact 3-phase+N Type 2 surge protector - 230/400 V - Pluggable			
	U _o	230 V 1-ph	230 V 1-ph	230 V 1-ph	230/400 V 3-ph	230/400 V 3-ph	230/400 V 3-ph
Network		L/PE & N/PE	L/PE & N/PE	L/N & N/PE	L/PE & N/PE	L/PE & N/PE	L/N & N/PE
Connection mode		IT	TN	TT-TN	IT	TN	TT-TN
AC system		IT	TN	TT-TN	IT	TN	TT-TN
Max. AC operating voltage	U _c	440 VAC	255 VAC	255 VAC	440 VAC	255 VAC	255 VAC
Temporary Over Voltage (TOV) Characteristics - 5 sec.	U _T	580 Vac withstand	335 Vac withstand	335 Vac withstand	580 Vac withstand	335 Vac withstand	335 Vac withstand
Temporary Over Voltage (TOV) Characteristics - 120 min	U _T	770 Vac disconnection	440 Vac disconnection	440 Vac disconnection	770 Vac disconnection	440 Vac disconnection	440 Vac disconnection
Temporary Over Voltage N/PE (TOV HT)	U _T	-	-	1200 V/300A/200 ms withstand	-	-	1200 V/300A/200 ms withstand
Residual current - Leakage current at U _c	I _{pe}	< 1 mA	< 1 mA	x	< 1 mA	< 1 mA	x
Max. Load current (if connection serie)	I _L	20 A	20 A	20 A	-	-	-
Nominal discharge current - 15 x 8/20 μs impulses	I _n	20 kA	20 kA	20 kA	20 kA	20 kA	20 kA
Max. discharge current - max. withstand @ 8/20 μs by pole	I _{max}	40 kA	40 kA	40 kA	40 kA	40 kA	40 kA
Protection level CM/DM* @ln (8/20μs) and @ 6kV (1.2/50μs)	U _p	1,8 kV	1,25 kV	1,5/1,25 kV	1,8 kV	1,25 kV	1,5/1,25 kV
Admissible short-circuit current	I _{scsr}	10000 A	10000 A	10000 A	10000 A	10000 A	10000 A
Current Source generator		1mA	1mA	1mA	1mA	1mA	1mA
Un min (MOV)		387 V AC	387 V AC	387 V AC	387 V AC	387 V AC	387 V AC
Un max (MOV)		473 V AC	473 V AC	473 V AC	473 V AC	473 V AC	473 V AC
Associated disconnectors							
Thermal disconnector		internal					
Fuses		Fuses Type gG - 50 A					
Installation ground fault breaker		Type "S" or delayed					
Mechanical characteristics							
Dimensions		see diagram					
Connection to Network		by screw terminals: 1,5-10mm ² (L/N) or 2,5-25mm ² (PE)					
Disconnection indicator		2 mechanical indicators					
Remote signaling of disconnection		output on changeover contact					
Mounting		Symmetrical rail 35 mm (EN60715)					
Operating temperature		-40 ... +85°C					
Protection rating		IP20					
Housing material		Thermoplast UL94-V0					
Standards compliance		IEC 61643-11 / EN 61643-11					

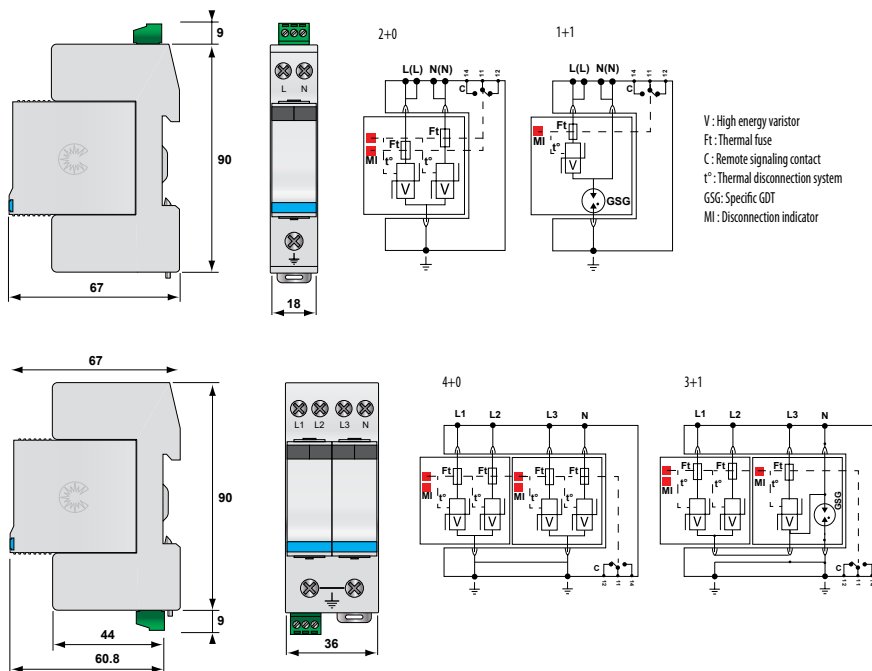
Dimensions



Type 3 (weak type2) multipole SPDs

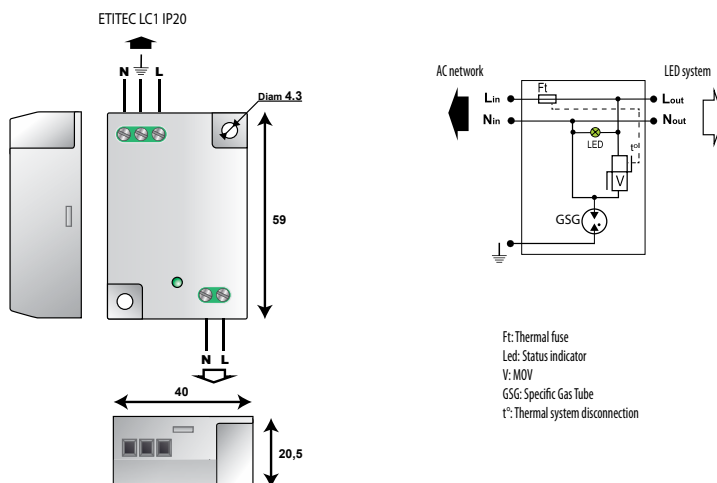
ETITEC V 2T3							
Description		Compact 1-phase Type 2 (and 3) surge protector - 230 V - Pluggable			Compact 3-phase+N Type 2 (and 3) surge protector - 230/400 V - Pluggable		
Network	U _o	230 V 1-ph	230 V 1-ph	230 V 1-ph	230/400 V 3-ph	230/400 V 3-ph	230/400 V 3-ph
Connection mode		L/PE & N/PE	L/PE & N/PE	L/N & N/PE	L/N & N/PE	L/N & N/PE	L/N & N/PE
AC system		IT	TN	TT-TN	IT	TN	TT-TN
Max. AC operating voltage	U _c	440 VAC	255 VAC	255 VAC	440 VAC	255 VAC	255 VAC
Temporary Over Voltage (TOV) Characteristics - 5 sec.	U _t	580 Vac withstand	335 Vac withstand	335 Vac withstand	580 Vac withstand	335 Vac withstand	335 Vac withstand
Temporary Over Voltage (TOV) Characteristics - 120 min	U _t	770 Vac disconnection	440 Vac disconnection	440 Vac disconnection	770 Vac disconnection	440 Vac disconnection	440 Vac disconnection
Temporary Over Voltage N/PE (TOV HT)	U _t	-	-	1200 V/300A/200 ms withstand	-	-	1200 V/300A/200 ms withstand
Residual current - Leakage current at U _c	I _{pe}	< 1 mA	< 1 mA	x	< 1 mA	< 1 mA	x
Max. Load current (if connection serie)	I _L	20 A	20 A	20 A	-	-	-
Nominal discharge current - 15 x 8/20 μs impulses	I _n	5 kA	5 kA	5 kA	5 kA	5 kA	5 kA
Max. discharge current - max. withstand @ 8/20 μs by pole	I _{max}	15 kA	15 kA	15 kA	15 kA	15 kA	15 kA
Withstand on overvoltages IEEE C62.41.1	U _{res}	10 kV	10 kV	10 kV	10 kV	10 kV	10 kV
Protection level CM/DM* @ln (8/20μs) and @6kV (1.2/50μs)	U _p	1.3 kV	0.9 kV	1.5/0.9 kV	1.3 kV	0.9 kV	1.5/0.9 kV
Admissible short-circuit current	I _{scsr}	10000 A	10000 A	10000 A	10000 A	10000 A	10000 A
Associated disconnectors							
Thermal disconnector		internal					
Fuses		Fuses Type gG - 20 A					
Installation ground fault breaker		Type "S" or delayed					
Mechanical characteristics							
Dimensions		see diagram					
Connection to Network		by screw terminals: 1,5-10mm ² (L/N) or 2,5-25mm ² (PE)					
Disconnection indicator		4 mechanical indicators					
Remote signaling of disconnection		output on changeover contact					
Mounting		Symmetrical rail 35 mm (EN60715)					
Operating temperature		-40 ... +85°C					
Protection rating		IP20					
Housing material		Thermoplast UL94-V0					
Standards compliance		IEC 61643-11 / EN 61643-11					

Dimensions



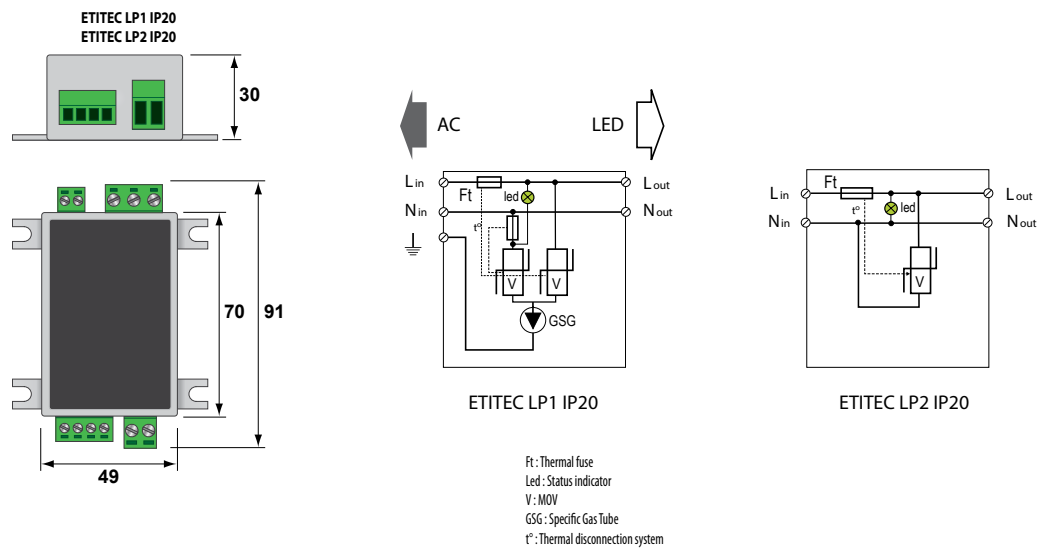
LED lighting protection

ETITEC LC1 IP20		
Description		Surge protectors for LED lighting system Class 1
Network	U _o	220-240 V single phase
AC system		TT/TN
Protection mode(s)		CM/DM
Max. AC operating voltage	U _c	320 VAC
Max. Load current	I _L	5 A
Residual current - Leakage current at U _c	I _{pe}	x
Temporary Over Voltage (TOV) Characteristics - 5 sec.	U _T	335 Vac withstand
Temporary Over Voltage (TOV) Characteristics - 120 min	U _T	440 Vac disconnection
Temporary Over Voltage N/PE (TOV HT)	U _T	1200 V/300A/200 ms disconnection
Nominal discharge current - 15 x 8/20 μs impulses	I _n	5 kA
Max. discharge current -max. withstand @ 8/20 μs by pole	I _{max}	10 kA
Total lightning current - max. total withstand @ 8/20 μs	I _{total}	20 kA
Withstand on Combination waveform - Class III test	U _{oc}	10 kV/5 kA
Withstand on overvoltages IEEE C62.41.1		10 kV/10 kA
Protection level CM/DM @In (8/20μs) and @ 6kV (1.2/50μs)	U _p	1.5 kV/ 1.5 kV
Admissible short-circuit current	I _{scrr}	10000 A
Associated disconnectors		
Thermal disconnector		internal
Installation ground fault breaker		Type "S" or delayed
Mechanical characteristics		
Dimensions		see diagram
Connection to Network		Screw (2.5 mm ² max) contact terminal
Voltage/operating indicator		Green Led ON
Disconnection indicator		Disconnection
Failsafe behavior		Led green OFF and AC network cut-off
Remote signaling of disconnection		x
Mounting		on plate
Operating temperature		-40 ... +85°C
Protection rating		IP20
Housing material		Thermoplast UL94-V0
Standards compliance		EN 61643-11 / IEC 61643-11

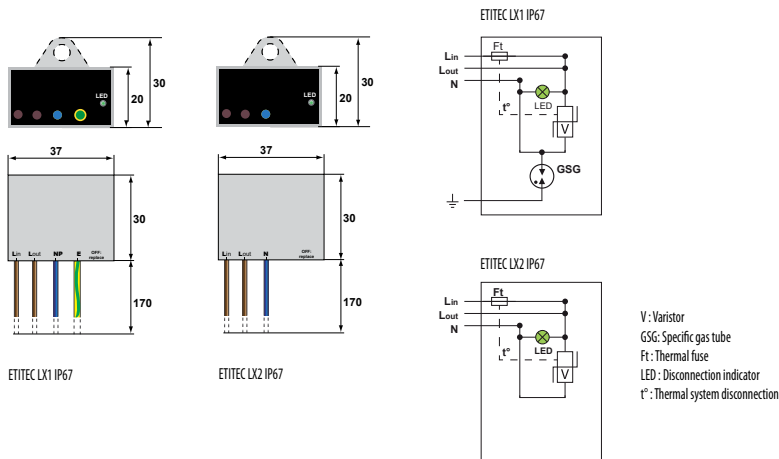


ETITEC LP		
Type	ETITEC LP1 IP20	ETITEC LP2 IP20
Network	220-240 V single phase	
Protection mode(s)	CM/DM	
Max. AC operating voltage	305 VAC	
Max. Load current	2,5 A	
Residual current - Leakage current at Uc	x	
Nominal discharge current - 15 x 8/20 µs impulses	5 kA	
Max. discharge current -max. withstand @ 8/20 µs by pole	10 kA	
Total lightning current - max. total withstand @ 8/20 µs	20 kA	
Withstand on Combination waveform - Class III test	10 kV/5 kA	
Withstand on overvoltages IEEE C62.41.1	10 kV/10 kA	
Protection level CM/DM @In (8/20µs) and @ 6kV (1.2/50µs)	1.5 kV/ 1.5 kV	
Admissible short-circuit current	10000 A	
Mechanical characteristics		
Connection to Network	Screw terminal - 1.5 mm ² max	
Voltage/operating indicator	Green Led ON	
Failsafe behavior	Led green OFF and AC network cut-off	
Disconnection indicator	Led green OFF and AC network cut-off or remote signal (option)	
Remote signaling of disconnection	Option	
Standards compliance	IEC 61643-11 / EN 61643-11 / UL1449 ed.4	
Description	Surge protector for LED lighting system Class 1	Surge protector for LED lighting system Class 2
AC voltage specifications		
Description	220-240 V single phase	220-240 V single phase
AC system	TT-TN	TT-TN
Protection mode(s)	CM/DM	DM
Max. AC operating voltage	305 Vac	305 Vac
Max. Load current	2,5 A	2,5 A
Residual current - Leakage current at Uc	x	x
Temporary Over Voltage (TOV) Characteristics - 5 sec.	335 Vac withstand	335 Vac withstand
Temporary Over Voltage (TOV) Characteristics - 120 min	440 Vac disconnection	440 Vac disconnection
Nominal discharge current - 15 x 8/20 µs impulses	5 kA	5 kA
Max. discharge current -max. withstand @ 8/20 µs by pole	10 kA	10 kA
Total lightning current - max. total withstand @ 8/20 µs	20 kA	20 kA
Withstand on Combination waveform - Class III test	10 kV/5 kA	10 kV/5 kA
Withstand on overvoltages IEEE C62.41.1	10 kV/10 kA	10 kV/10 kA
Protection level CM/DM @In (8/20µs) and @ 6kV (1.2/50µs)	1.5 kV/ 1.5 kV	1.5 kV
Admissible short-circuit current	10000 A	10000 A
Connection to Network	screw 1.5mm ² max	screw 1.5mm ² max
Voltage/operating indicator	Green Led ON	Green Led ON
Failsafe behavior	Disconnection from AC line	Disconnection from AC line
Disconnection indicator	Green Led OFF and AC line cut-off	Green Led OFF and AC line cut-off
Remote signaling of disconnection	none	yes : output on contact NO
Associated disconnectors		
Thermal disconnector	internal	internal
Installation ground fault breaker	Type "S" or delayed	Type "S" or delayed
Mechanical characteristics		
Dimensions	see diagram	see diagram
Mounting	on plate	on plate
Operating temperature	-40/+85°C	-40/+85°C
Protection rating	IP65	IP20
Housing material	Thermoplastic UL94-V0	Thermoplastic UL94-V0
Standards compliance	IEC 61643-11 / EN 61643-11	

Technical data



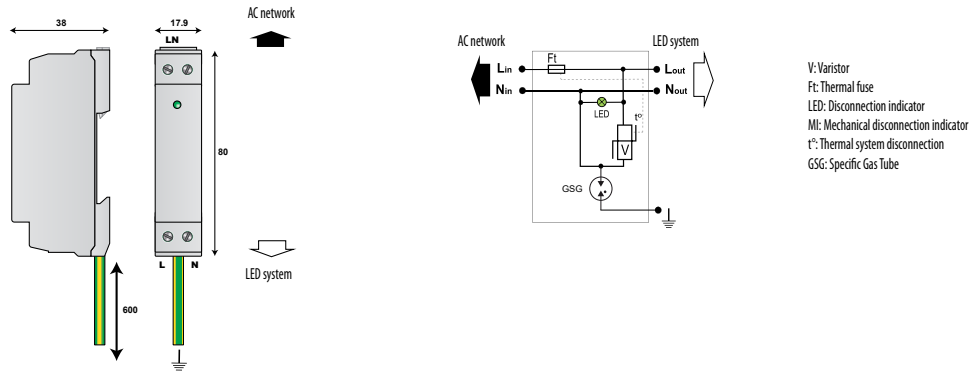
ETITEC LX		
Type	ETITEC LX1 IP67	ETITEC LX2 IP67
Description	Compact Type 2 +3 hard-wired surge protector	
Application (Classe)	I	II
Network	230-277 V single phase	230-277 V single phase
AC system	TT/TN	TT/TN
Protection mode(s)	CM/DM	DM
Max. AC operating voltage	320 VAC	320 VAC
Max. Load current	10A	10A
Temporary Over Voltage (TOV) Characteristics - 5 sec.	335 Vac withstand	335 Vac withstand
Temporary Over Voltage (TOV) Characteristics - 120 min	440 Vac disconnection	440 Vac disconnection
Temporary Over Voltage N/PE (TOV HT)	1200 V/300A/200 ms disconnection	x
Nominal discharge current - 15 x 8/20 μ s impulses	5 kA	5 kA
Max. discharge current - max. withstand @ 8/20 μ s by pole	10 kA	10 kA
Total max. discharge current - max. total withstand @ 8/20 μ s	20 kA	NA
Withstand on Combination waveform - Class III test	10 kV	10 kV
Withstand on overvoltages IEEE C62.41.1	10 kV/10 kA	10 kV/10 kA
Protection level CM/DM @In (8/20 μ s) and @ 6kV (1.2/50 μ s)	1.5 kV/1.5 kV	1.5 kV
Admissible short-circuit current	10000 A	10000 A
Associated disconnectors		
Thermal disconnector	internal	
Installation ground fault breaker	Type "S" or delayed	
Mechanical characteristics		
Dimensions	see diagram	
Connection to Network	by wires :1.5 mm ² (L/N) & 2.5 mm ² (PE)	by wires :1.5 mm ² (L/N)
Voltage/operating indicator	Green Led ON	
Disconnection indicator	Disconnection	
Failsafe behavior	Led green OFF and AC network cut-off	
Remote signaling of disconnection	x	
Mounting	wall or plate	
Operating temperature	-40/+85°C	
Protection rating	IP67	
Housing material	Thermoplastic UL94-V0	
Standards compliance	EN 61643-11 / IEC 61643-11	



ETITEC L1 DIN

Description	Surge protectors for LED lighting system Class 1
Network	220-240 V single phase
AC system	TT/TN
Protection mode(s)	CM/DM
Max. AC operating voltage	320 VAC
Max. Load current	10A
Residual current - Leakage current at Uc	x
Temporary Over Voltage (TOV) Characteristics - 5 sec.	335 Vac withstand
Temporary Over Voltage (TOV) Characteristics - 120 min	440 Vac disconnection
Temporary Over Voltage N/PE (TOV HT)	1200 V/300A/200 ms disconnection
Nominal discharge current - 15 x 8/20 μs impulses	5 kA
Max. discharge current - max. withstand @ 8/20 μs by pole	10 kA
Total lightning current - max. total withstand @ 8/20 μs	20 kA
Withstand on Combination waveform - Class III test	10 kV / 5 kA
Withstand on overvoltages IEEE C62.41.1	10 kV/10 kA
Protection level CM/DM @In (8/20μs) and @ 6kV (1.2/50μs)	1.5 kV/ 1.5 kV
Admissible short-circuit current	10000 A
Associated disconnectors	
Thermal disconnector	internal
Installation ground fault breaker	Type «S» or delayed
Mechanical characteristics	
Dimensions	see diagram
Connection to Network	Screw terminal 2.5 mm ² max., Earthing conductor 2 mm ² - length 60 cm
Voltage/operating indicator	Led green ON
Disconnection indicator	Disconnection and AC line cut-off
Failsafe behavior	Led green OFF and AC network cut-off
Remote signaling of disconnection	x
Mounting	Symmetrical rail 35mm (EN60715)
Operating temperature	-40 ... +85°C
Protection rating	IP20
Housing material	Thermoplastic UL94-V0
Standards compliance	EN 61643-11 / IEC 61643-11

Technical data



Surge arrester ETITEC T WENT group B

EN/IEC/VDE: T1, T2 /I,II/B+C

ETITEC T WENT	
Type	320/25
In accordance with	IEC/EN 61643-11
Category IEC/EN/VDE	I, II/ T1, T2 / B+C
Max. continuous operating voltage (AC) U_c	320V
Nominal AC voltage U_o	230V 50-60 Hz
TOV immunity U_T (AC)	334 V/5s withstand 438 V/120 min safe failure
Impulse current (10/350) I_{imp}	25 kA
Nominal discharge current (8/20) I_n	25 kA
Max. discharge current (8/20) I_{max}	100 kA
Protection level U_p - at I_n	<1,5 kV
Follow current I_f	100 A _{RMS}
Response time t_a	< 25 ns
Residual current I_{pe} at U_{ref}	< 0,3 mA
Current source generator	1 mA
U_n min (MOV)	459
U_n max (MOV)	561 V
Voltage step generator	100 V/s
U_n min (GDT)	480 V
U_n max (GDT)	720V
Thermal decoupler	✓
Torque	3,0 Nm
Back-up fuse (if mains > 160A)	250 A gG
Short-circuit current rating I_{SCCR}	50 kA / 50 Hz
Temperature range	- 40°C ... +70°C
Cross-section of connection wire	min. 6mm ² ; max. solid, rigid stranded 35mm ² ; flexible 25mm ²
Mounting	indoors on top hat fixing rail 35 mm (EN 60715)
Degree of protection	IP 20
Casing material	PA
Dimensions	2 TE ... 8 TE
Indication of disconnecter operation	
Permissible humidity	5% - 95%
Additional data for ETITEC T WENT-RC	
Remote signalisation (RC)	✓
Switching capability (RC)	AC: 250V/0,5A; DC:125V/0,2A
Cross-section of connection wire (RC)	max. 1.5 mm ²
Torque (RC)	0,25 Nm

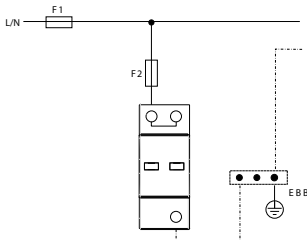
Type of network and nr. of SPD poles	
Network	Nr of poles (SPD configuration)
TNC 1 phase	1+0
TNC 3 phase	3+0
TNS 1 phase	2+0 / 1+1
TNS 3 phase	4+0 / 3+1
TT 1 phase	1+1
TT 3 phase	3+1

At TNC, TNS, TT systems with $U_n=230V$, recommended U_c value of SPD is 275V.

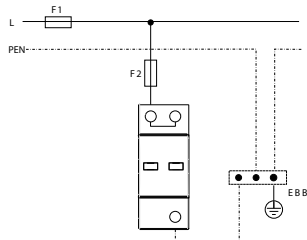
Protection configurations for various power systems

ETITEC WENT limp=25 kA

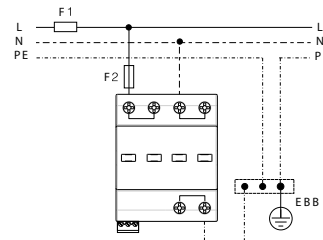
TN-S Network - Single-phase, 1+0 (T-connection)



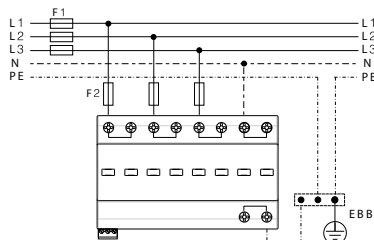
TN-C Network - Single-phase, 1+0 (T-connection)



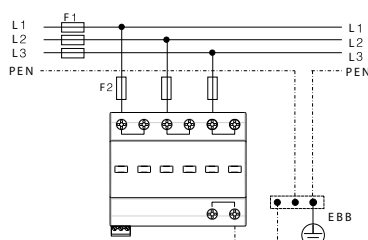
TN-S Network - Single-phase, 2+0 (T-connection)



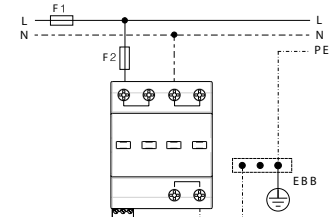
TN-S Network - Three-phase, 1+0 (T-connection)



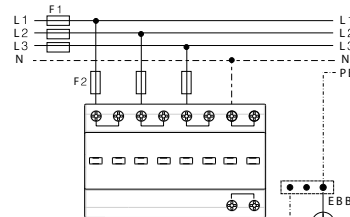
TN-C Network - Three-phase, 1+0 (T-connection)



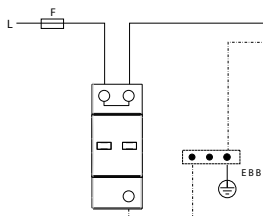
TT Network - Single-phase, 1+0 (T-connection)



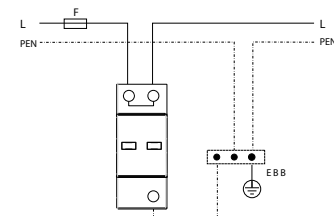
TT Network - Three-phase, 1+0 (T-connection)



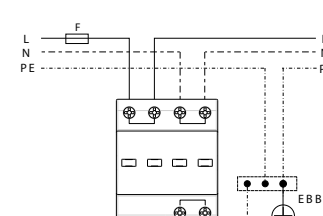
TN-S Network - Single-phase, 1+0 (V-connection)



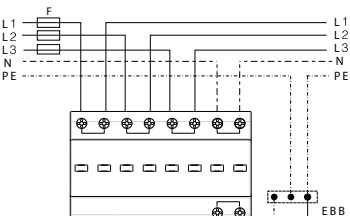
TN-C Network - Single-phase, 1+0 (V-connection)



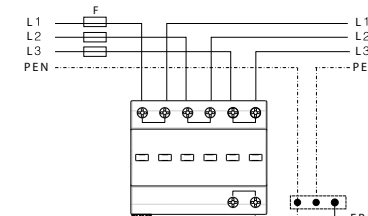
TN-S Network - Single-phase, 2+0 (V-connection)



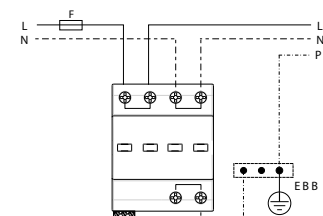
TN-S Network - Three-phase, 4+0 (V-connection)



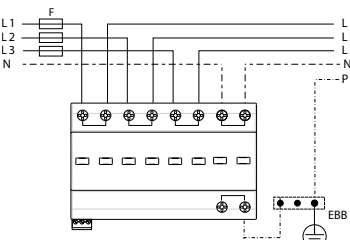
TN-C Network - Three-phase, 3+0 (V-connection)



TT Network - Single-phase, 1+1 (V-connection)



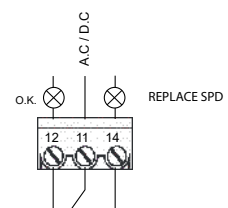
TT Network - Three-phase, 3+1 (V-connection)



Remote signalization connection / Back-up fuse

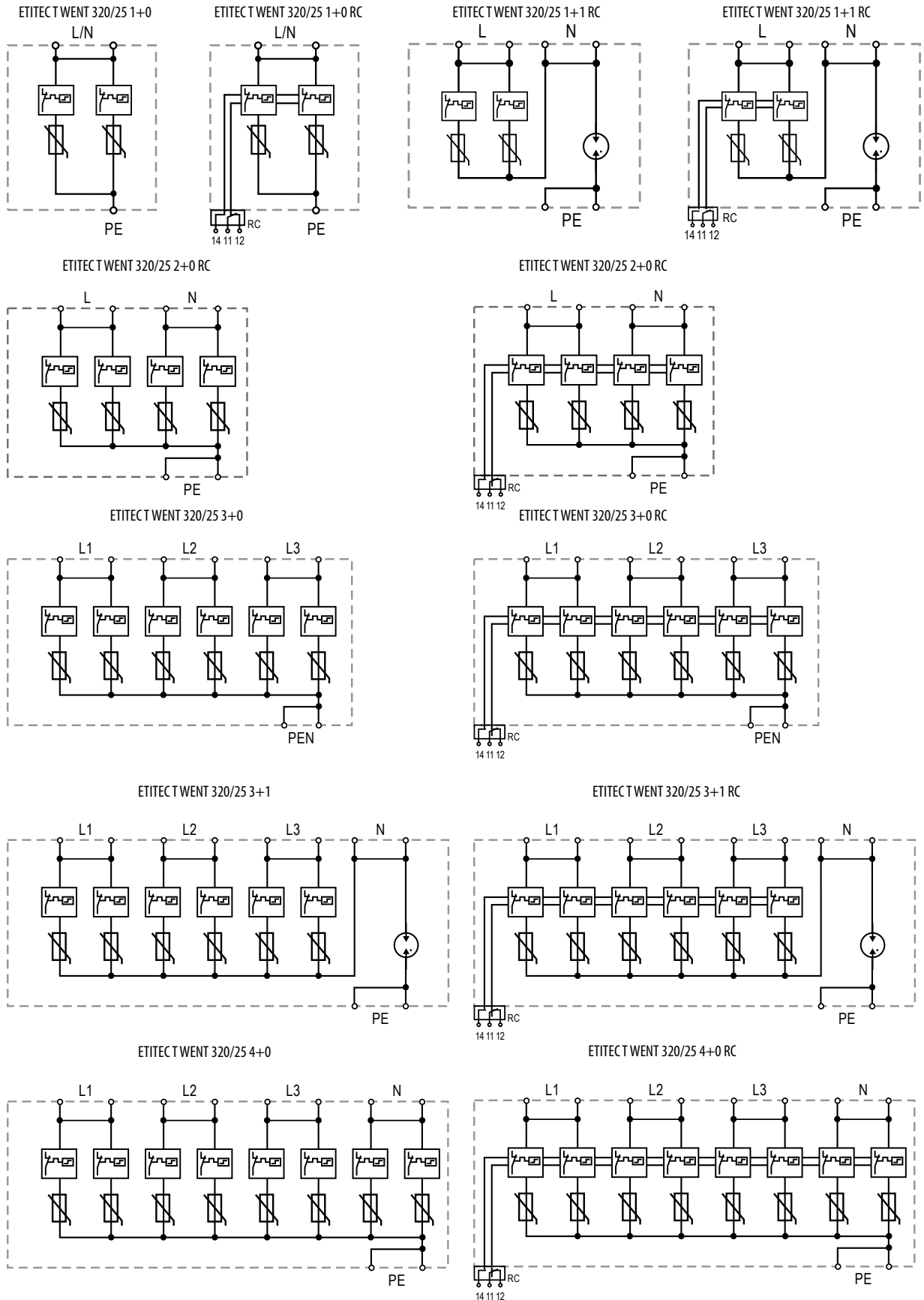
Back-up fuse	
F1 > 250 A gG	→ F2 = 250 A gG
F1 ≤ 250 A gG	→ F2 = not needed
F ≤ 100 A gG	

A.C.	250V / 0.5A
D.C.	250V / 0.1A
	125V / 0.2A
	75V / 0.5A



Connection diagram

ETITECT WENT $I_{imp}=25$ kA

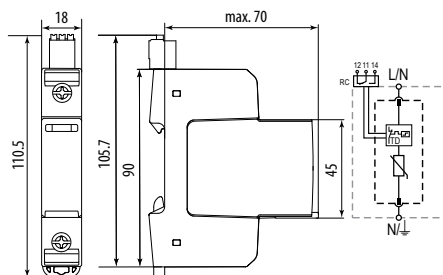


Surge arrester ETITEC ML T123

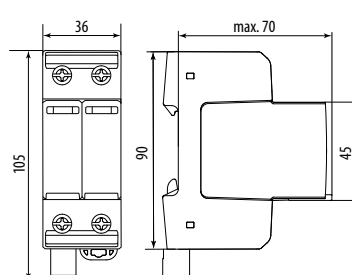
EN/IEC/VDE: T1, T2, T3 /I, II, III/B+C+D

ETITEC ML T123		
Type	ETITEC ML T123 300/12,5 (1+0), (2+0), (3+0)	ETITEC ML T123 300/12,5 (1+1), (3+1)
In accordance with	IEC 61643-11:2011, EN 61643-11:2012+A11:2018	
Category IEC/EN/VDE	T1, T2, T3/I, II, III/B+C+D	
Nominal AC voltage (50/60Hz) U_n	240V	
Max. continuous operating voltage (AC) U_c	300 V (L-N)	300 V (L-N) / 305 (N-PE)
Impulse discharge current per pole (10/350) I_{imp}	12,5 kA	12,5 kA/50 kA
Nominal discharge current (8/20) I_n	20 kA	20 kA (L-N)/50 kA(N-PE)
Max. discharge current (8/20) I_{max}	40 kA	40 kA (L-N)/100 kA(N-PE)
TOV immunity U_T (AC)	337 V (L-N)/5s withstand	
	442V/120 min (L-N) safe fail	442V/120 min (L-N) Safe fail, 1200V (N-PE) withstand 200ms
Charge		
Voltage Protection level for Type2 / for Type 3 U_p	1500 V / 900V	1500 V / 900V (L-N)/(N-PE)
Open circuit voltage Type 3 test U_{oc}	6 kV	
Follow current I_{fi}	-	100 A _{RMS} (N-PE)
Response time t_A	< 25 ns	<25 ns (L-N) / < 100 ns (N-PE)
Residual current I_{pe} at U_{ref}	< 0,3 mA	
Thermal decoupler	✓	
Torque	4,5 Nm	
Back-up fuse (if mains > 160A)	160 A gG	
Short-circuit current rating I_{SCCR}	25 kA / 50 Hz	
Temperature range	- 40°C ... +85°C	
Cross-section of connection wire	35 mm ² (solid, stranded) / 25 mm ² (flexible)	
Mounting	indoors on top hat fixing rail 35 mm (EN 60715)	
Degree of protection	IP 20	
Casing material	thermoplastic; extinguishing degree UL 94 V-0	
Dimensions	1TE ... 4TE	
Fault indication (visual)	OK - green indicator / faulty - RED indicator	
Fault indication (remote contacts)	✓ (version with RC contact)	
Additional data for ETITEC B-RC		
Remote signalisation (RC)	✓	
Switching capability (RC)	AC: 250V/1A; DC: 48V/0,5A; 24V/0,5A; 12V/0,5A	
Cross-section of connection wire (RC)	max. 1.5 mm ² (single-core)	

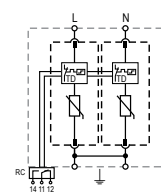
ETITEC ML T123
300/12,5 (1+0) RC



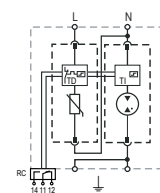
ETITEC ML T123
300/12,5 (2+0) RC/ ... (1+1) RC



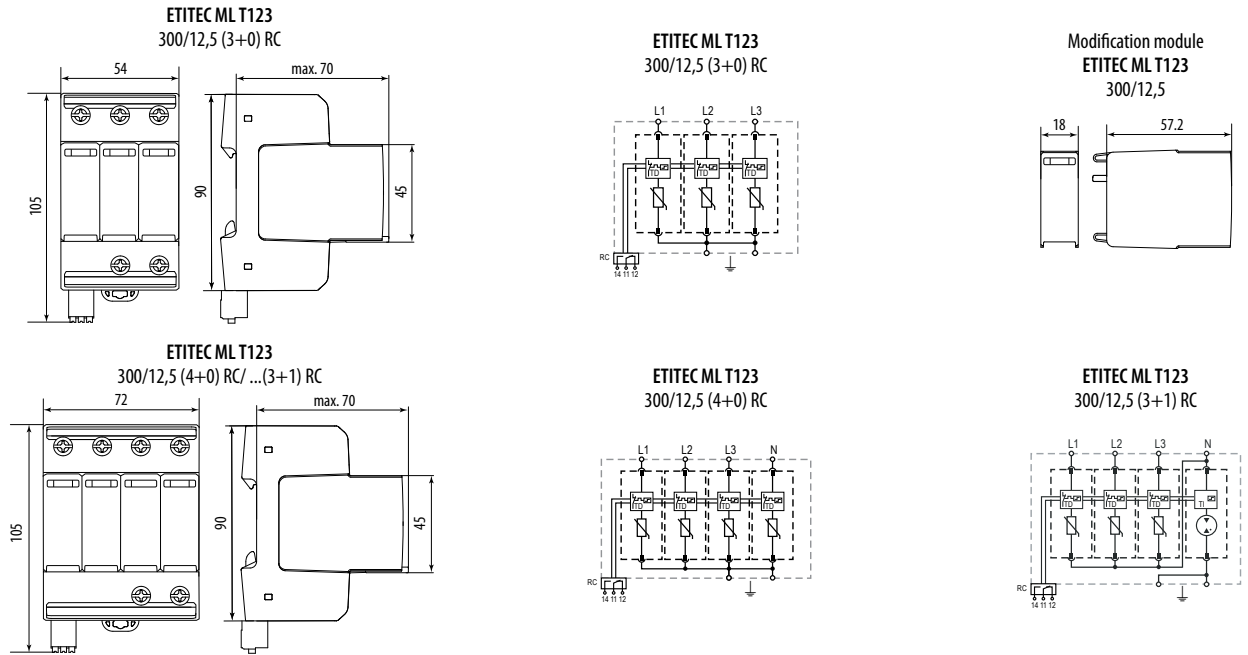
ETITEC ML T123
300/12,5 (2+0) RC



ETITEC ML T123
300/12,5 (1+1) RC



Technical data



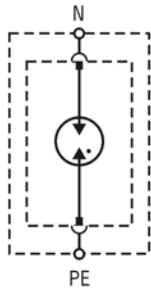
Surge arrester ETITEC group C T2

EN/IEC/VDE: T2/II/C

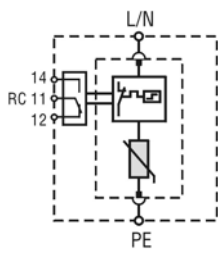
ETITEC C T2			
Type	275/20	440/20	255/20 G
In accordance with	IEC/EN 61643-11		
Category IEC/EN/VDE	II/T2/C		
Max. continuous operating voltage (AC) U_c	275	440	255
Nominal AC voltage U_0	230 V 50-60 Hz		
TOV immunity U_r (AC)	335 V/5s withstand	335 V/5s withstand	1200 V
	440 V/120 min safe disconnection	440 V/120 min withstand	-
Nominal discharge current (8/20) I_n	20 kA		
Max. discharge current (8/20) I_{max}	40 kA		
Charge			
Protection level U_p - at I_n (8/20)	<1,5 kV	<2,0 kV	<1,5 kV
Follow current I_{fi}	x		>100 A
Response time t_A	< 25 ns		< 100 ns
Residual current I_{pe} at U_{ref}	< 0,2 mA		-
Current source generator		1mA	
$U_{n, min}$ (MOV)		459V	
$U_{n, max}$ (MOV)		561V	
Voltage step generator		100V/s	
$U_{n, min}$ (GDT)		480V	
$U_{n, max}$ (GDT)		720V	
Thermal decoupler	✓		-
Torque		3,0 Nm	
Back-up fuse (if mains > 125A)	125 A gG		-
Short-circuit current rating I_{SCCR}	25 kA / 50 Hz		-
Temperature range	- 40°C ... +70°C		
Cross-section of connection wire	min. 6mm ² , max. single strand 35mm ² , multi-strand 25mm ²		
Mounting	indoors on top hat fixing rail 35 mm (EN 60715)		
Degree of protection	IP 20		
Casing material	thermoplastic; extinguishing degree UL 94 V-0		
Dimensions	1 TE ... 4 TE		
Indication of disconnector operation	red flag		
Permissible humidity	5% - 95%		
Additional data for ETITEC C-RC			
Remote signalisation (RC)	✓		-
Switching capability (RC)	AC: 250V/0.5A; 125V/3A		-
Cross-section of connection wire (RC)	max. 1.5 mm ²		-
Torque (RC)	0,25 Nm		-

Type of network and nr. of SPD poles	
Network	Nr of poles (SPD configuration)
TNC 1phase	1+0
TNC 3 phase	3+0
TNS 1 phase	2+0 / 1+1
TNS 3 phase	4+0 / 3+1
TT 1 phase	1+1
TT 3 phase	3+1
IT 1 phase	2+0
IT 3 phase	4+0

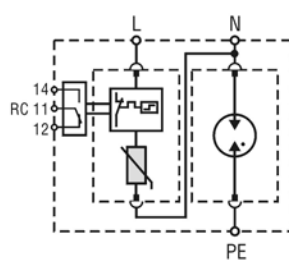
At TNC, TNS, TT systems with $U_n=230V$, recommended U_c value of SPD is 275V.
At IT system, recommended U_c value of SPD is 440V.



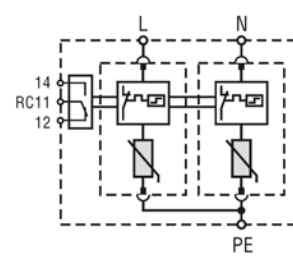
ETITEC CT2 G



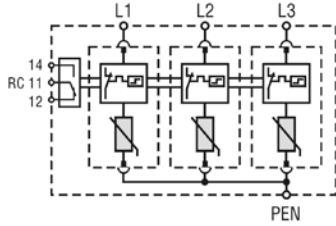
ETITEC CT2 1+0 RC



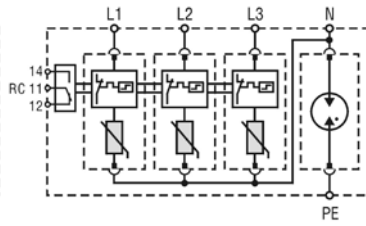
ETITEC CT2 1+1 RC



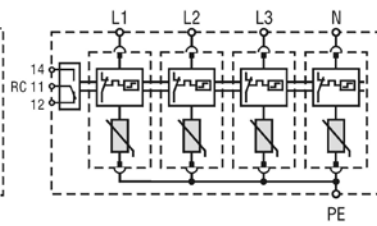
ETITEC CT2 2+0 RC



ETITEC CT2 3+0 RC

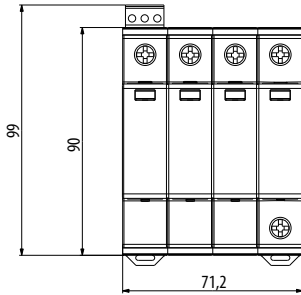


ETITEC CT2 3+1 RC

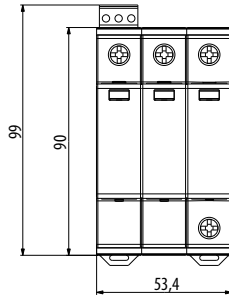


ETITEC CT2 4+0 RC

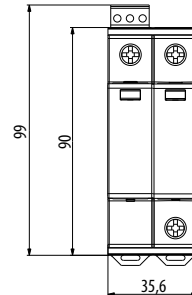
ETITEC C T2 275/20 4+0 RC
ETITEC C T2 275/20 3+1 RC



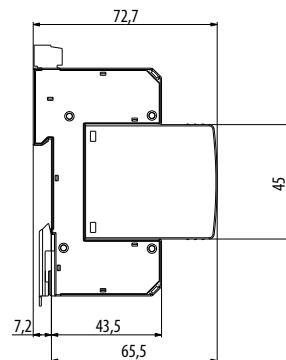
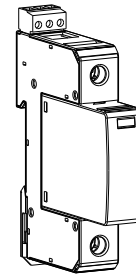
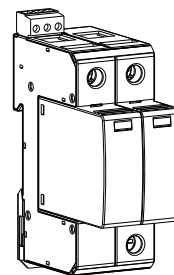
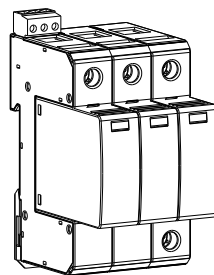
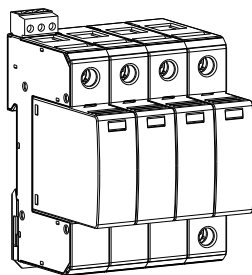
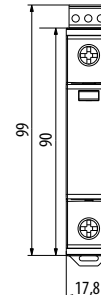
ETITEC C T2 275/20 3+0 RC



ETITEC C T2 275/20 2+0 RC
ETITEC C T2 275/20 1+1 RC



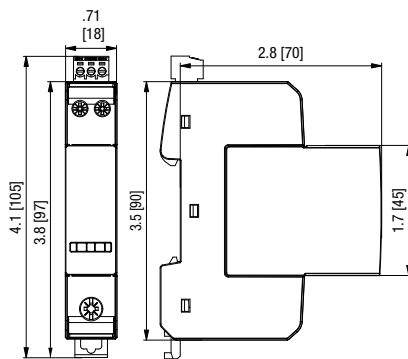
ETITEC C T2 275/20 1+0 RC



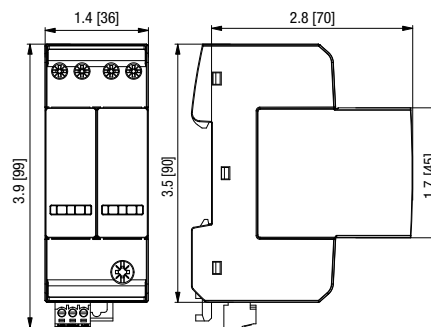
Surge arrester ETITEC group CM T2+T3

EN/IEC/VDE: T2,T3 /II,III/C,D

ETITEC CM T2+T3		
Type	ETITEC CM T23 275/20 2+0 (RC), 4+0 (RC)	ETITEC CM T23 275/20 1+1 (RC), 3+1 (RC)
In accordance with	IEC/EN 61643-11	
Category IEC/EN/VDE	II,III/T2,T3/C,D	
Max. continuous operating voltage (AC) U_c	275	L-N: 275; N-PE: 255V
Nominal AC voltage U_o	230 V 50-60 Hz	
TOV immunity U_t (AC)	335 V/5s withstand	
	440 V/120 min safe disconnection	440 V/120 min safe disconnection
Nominal discharge current (8/20) I_n	20 kA	
Max. discharge current (8/20) I_{max}	40 kA	
Charge		
Protection level U_p T2+T3	1,5 kV	1,5 kV
Protection level U_p T3 only	1,0 kV	L-N: 1,0 kV; N-PE: 0,3 kV
Open Circuit Voltage of Combination Wave Generator (1.2/50 μ s) U_{oc}	6 kV	
Short Circuit Current of Combination Wave Generator (8/20 μ s) I_{cw}	3 kA	
Response time tA	< 25 ns	L-N: < 25 ns; N-PE: < 100 ns
Number of ports	1	
Thermal decoupler	✓	
Torque	L, N: 1,2 Nm, PE: 2,0 Nm	
Back-up fuse	100 A gG	
Short-circuit current rating I_{SCCR}	25 kA	
Temperature range	- 40°C ... +85°C	
Cross-section of connection wire	L, N: 10 mm ² (Solid, Stranded) / 6 mm ² (Flexible); PE: 35 mm ² (Solid, Stranded) / 25 mm ² (Flexible)	
Mounting	indoors on top hat fixing rail 35 mm (EN 60715)	
Degree of protection	IP 20B (built-in)	
Dimensions	1 TE ... 2 TE	
Indication of disconnector operation	red flag	
Permissible humidity	5% - 95%	
Additional data for ETITEC CM-RC		
Remote signalisation (RC)	✓	
Switching capability (RC)	AC: 250V/0.5A; DC: 250V/0.5A, 125V/0.2A, 75V/0.5A	
Cross-section of connection wire (RC)	max. 1.5 mm ²	
Torque (RC)	0,4 Nm	

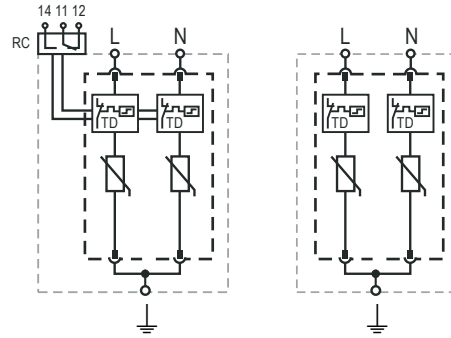


ETITEC CM T23 275/20 2+0 (RC), ETITEC CM T23 275/20 1+1 (RC)



ETITEC CM T23 275/20 4+0 (RC), ETITEC CM T23 275/20 3+1 (RC)

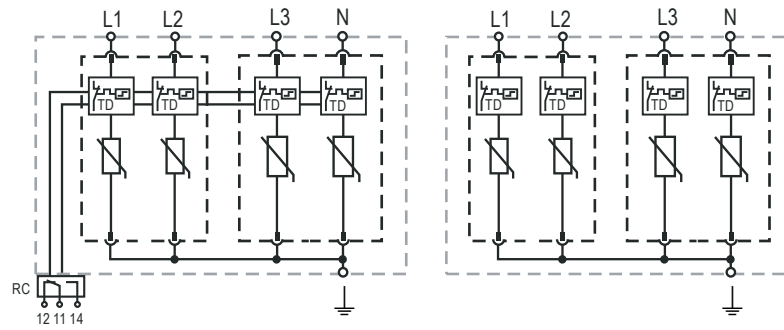
ETITEC CM T23 275/20 2+0 (RC)



Legend

- L Line Conductor Terminal
- N Neutral Conductor Terminal
- Z PE Conductor Terminal
- RC Remote Contacts Terminal
- TD Thermal Disconnectors

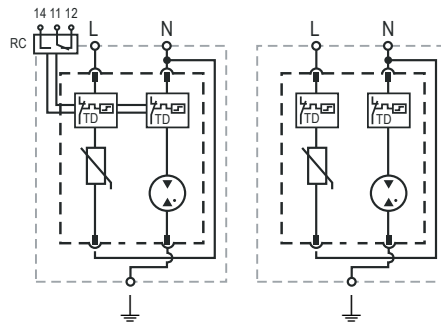
ETITEC CM T23 275/20 4+0 (RC)



Legend

- L Line Conductor Terminal
- N Neutral Conductor Terminal
- Z PE Conductor Terminal
- RC Remote Contacts Terminal
- TD Thermal Disconnectors

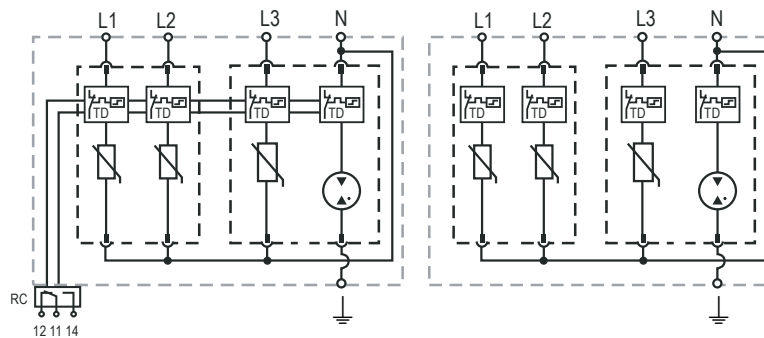
ETITEC CM T23 275/20 1+1 (RC)



Legend

- L Line Conductor Terminal
- N Neutral Conductor Terminal
- Z PE Conductor Terminal
- RC Remote Contacts Terminal
- TD Thermal Disconnectors

ETITEC CM T23 275/20 3+1 (RC)



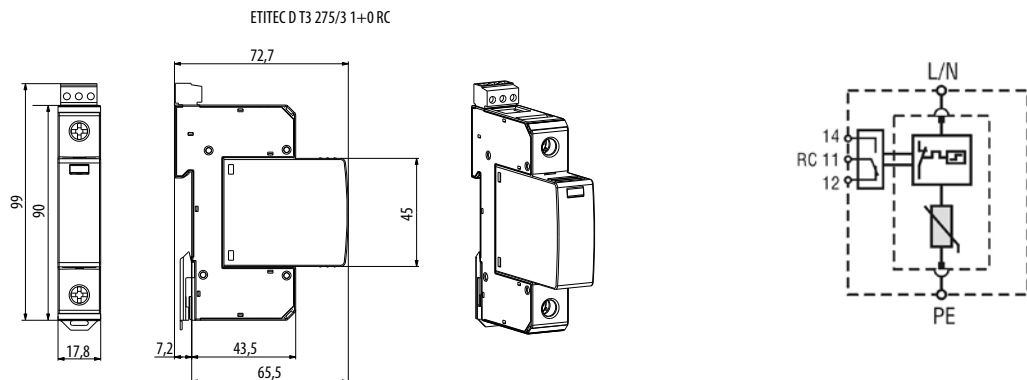
Legend

- L Line Conductor Terminal
- N Neutral Conductor Terminal
- Z PE Conductor Terminal
- RC Remote Contacts Terminal
- TD Thermal Disconnectors

Surge arrester ETITEC group D T3

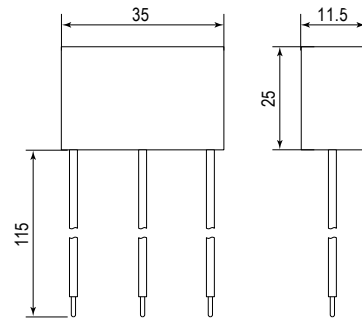
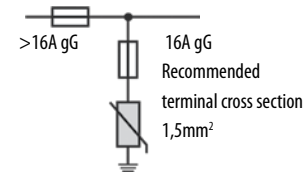
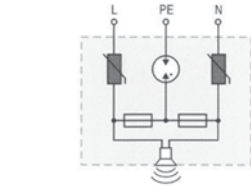
EN/IEC/VDE: T3/III/D

ETITEC D T3		
Type	275/3	440/3
In accordance with	IEC/EN 61643-11	
Category IEC/EN/VDE	III/T3/D	
Max. continuous operating voltage (AC) U_c	275	440
Nominal AC voltage U_o	230 V 50-60 Hz	
TOV immunity U_T (AC)	335 V/5s withstand	335 V/5s withstand
	440 V/120 min safe disconnection	440 V/120 min withstand
U_{oc}	10 kV	
Max. discharge current (8/20) I_{max}	10 kA	
Charge		
Protection level U_p - at I_n (8/20)	<1,4 kV	<1,6 kV
Follow current I_n	x	
Response time t_A	< 25 ns	
Residual current I_{pe} at U_{ref}	< 0,3 mA	
Thermal decoupler	✓	
Torque	3,0 Nm	
Back-up fuse (if mains > 63A)	125 A gG	
Short-circuit current rating I_{SCCR}	25 kA / 50 Hz	
Temperature range	- 40°C ... +70°C	
Cross-section of connection wire	min. 6mm ² , max. single strand 35mm ² , multi-strand 25mm ²	
Mounting	indoors on top hat fixing rail 35 mm (EN 60715)	
Degree of protection	IP 20	
Casing material	thermoplastic; extinguishing degree UL 94 V-0	
Dimensions	1 TE	
Indication of disconnector operation	red flag	
Permissible humidity	5% - 95%	
Additional data for ETITEC D-RC		
Remote signalisation (RC)	✓	
Switching capability (RC)	AC: 250V/0.5A; 125V/3A	
Cross-section of connection wire (RC)	max. 1.5 mm ²	
Torque (RC)	0,25 Nm	



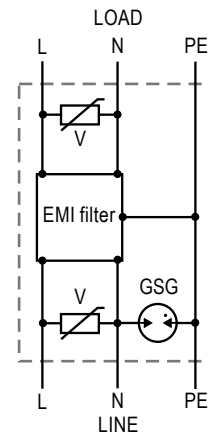
ETITEC D 255/3 MINI

Electrical	
Nominal AC voltage U_0	230V
Max. continuous operating voltage (AC) U_c	275V
Open Circuit Voltage of the Combination Wave Generator (1,2/50 μ s) U_{oc}	$U_{oc} = 6kV$ (L+N-PE) $U_{oc, total} = 10kV$
Short-Circuit Current of the Combination Wave Generator (8/20 μ s) I_{sc}	3kA
Protection level $U_p - at I_n (8/20)$	(L-N) $U_p = 1,5kV$ (L-PE)/(N-PE) $U_p = 1,7kV$
Response time t_A	<100ns
Back-up fuse (if mains > 16A)	B 16 A
Short-circuit current rating I_{SCCR}	1 kA
TOV immunity U_T (AC)	337 V/5s withstand
Mechanical and Environmental	
Temperature range	-40°C ... +85°C
Permissible humidity	5% ... 95%
Cross-section of connection wire	1 mm ² (stranded)
Mounting	cable ducts
Degree of protection	IP 20
Housing material	thermoplastic; extinguishing degree UL 94 V-0
Thermal decoupler	✓
Fault Indication	Buzzer



Technical data ETITEC FILT D

In accordance with	IEC-61643-1
Category IEC / VDE	III / D
Connection:	TN-S, TT
Protecting:	L/N-PE
Protective elements:	GSG, MOV & EMI filter
Max. continuous operating voltage (AC/DC) U_c	275/50 Hz
Combination wave (1.2/50-8/20) U_{oc}/I_{sc}	6kV/3kA
Max. Load current I_L	8A
Protection level U_p	$\geq 800V$
Asymmetrical attenuation	<70 dB at 5MHz
Terminal cross section	1,5 mm ² (stranded)
Indication	Light
Housing	Thermoplastic
Dimensions (w*h*d)	33 x 90 x 57 mm



V: Varistor
GSG: Specific gas tube