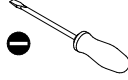
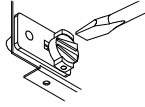


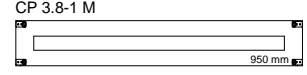
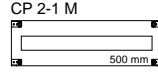
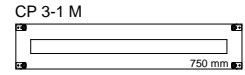
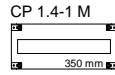
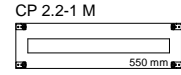
**CP X-1 M**

for **MODULAR DIN-RAIL DEVICES**  
(osłony modułowe)

- (GB) Mounting instructions
- (DE) Montageanleitung
- (SI) Navodilo za montažo
- (PL) Instrukcje montażu
- (HR) Upute za montažu
- (CZ) Montážní návod
- (SK) Navod na montáž
- (HU) Szerelési utmutató
- (LT) Montavimo instrukcija
- (RU) Инструкция за монтаж
- (LV) Montāžas instrukcija
- (EST) Paigaldusjuhend



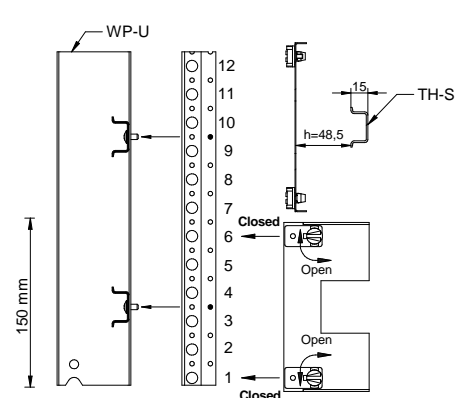
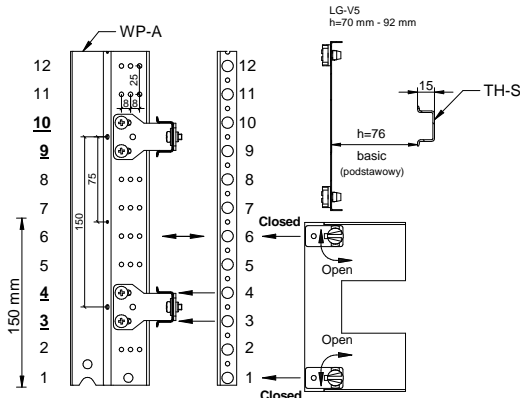
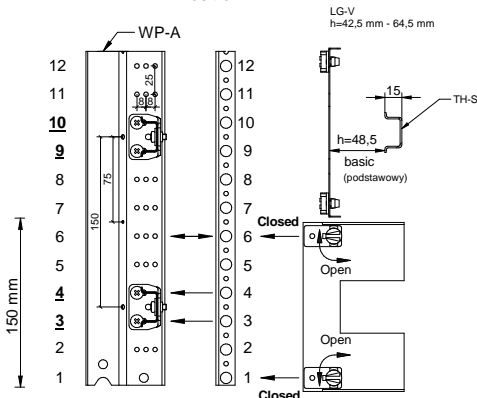
Screwdriver flat-blade  
(Wkrętarz płaski)



**Position 1**

**Position 2**

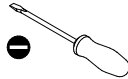
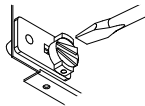
**Position 3**



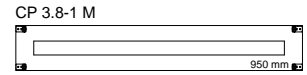
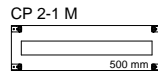
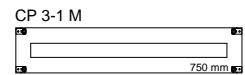
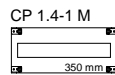
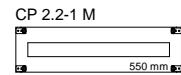
**CP X-1 M**

for **MODULAR DIN-RAIL DEVICES**  
(osłony modułowe)

- (GB) Mounting instructions
- (DE) Montageanleitung
- (SI) Navodilo za montažo
- (PL) Instrukcje montażu
- (HR) Upute za montažu
- (CZ) Montážní návod
- (SK) Navod na montáž
- (HU) Szerelési utmutató
- (LT) Montavimo instrukcija
- (RU) Инструкция за монтаж
- (LV) Montāžas instrukcija
- (EST) Paigaldusjuhend



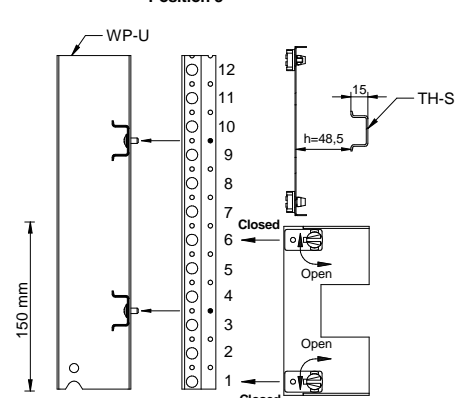
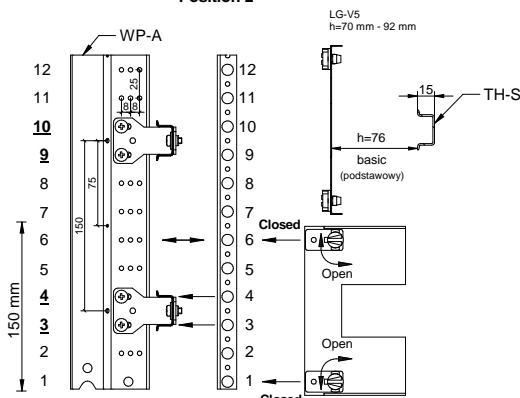
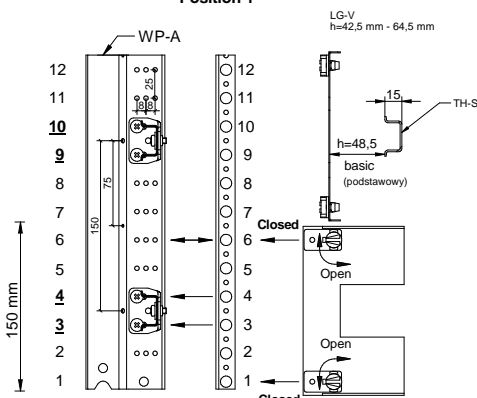
Screwdriver flat-blade  
(Wkrętarz płaski)



**Position 1**

**Position 2**

**Position 3**



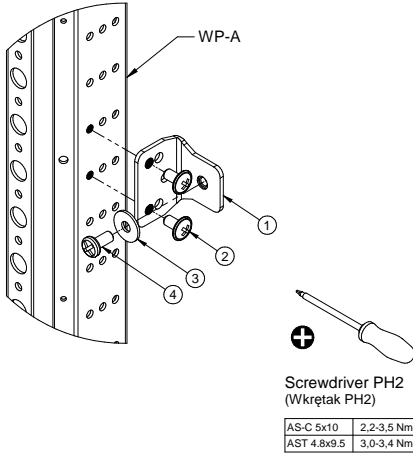
CP X-1 M

Position 1 - support WP-A			
No.	Type ETI	Name	Pcs.
1	LG-V	Support	2
2	AST 4.8x9.5	Tapping screw	4
3	AW-RE 5	Washer M5 DIN9021 Zn	2
4	AS-C 5x10	Screw M5x10 DIN7985 Zn	2

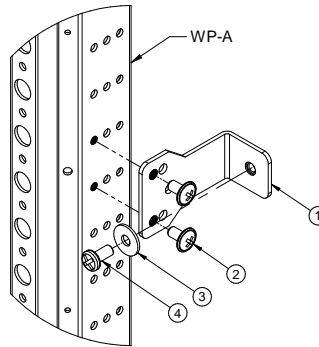
Position 2 - support WP-A			
No.	Type ETI	Name	Pcs.
1	LG-V5	Support	2
2	AST 4.8x9.5	Tapping screw	4
3	AW-RE 5	Washer M5 DIN9021 Zn	2
4	AS-C 5x10	Screw M5x10 DIN7985 Zn	2

Position 3 - support WP-U			
No.	Type ETI	Name	Pcs.
1	AST 4.8x9.5	Tapping screw	2

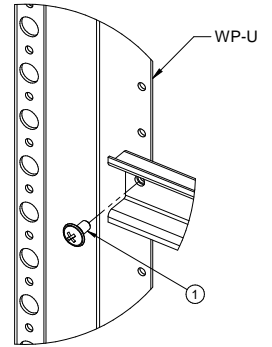
Position 1



Position 2



Position 3



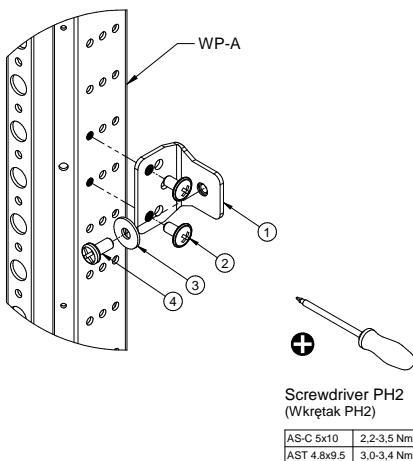
CP X-1 M

Position 1 - support WP-A			
No.	Type ETI	Name	Pcs.
1	LG-V	Support	2
2	AST 4.8x9.5	Tapping screw	4
3	AW-RE 5	Washer M5 DIN9021 Zn	2
4	AS-C 5x10	Screw M5x10 DIN7985 Zn	2

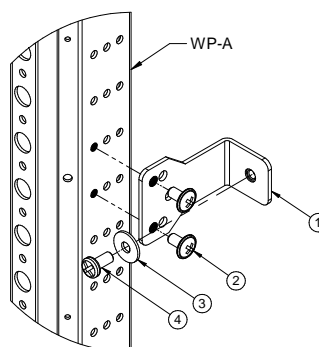
Position 2 - support WP-A			
No.	Type ETI	Name	Pcs.
1	LG-V5	Support	2
2	AST 4.8x9.5	Tapping screw	4
3	AW-RE 5	Washer M5 DIN9021 Zn	2
4	AS-C 5x10	Screw M5x10 DIN7985 Zn	2

Position 3 - support WP-U			
No.	Type ETI	Name	Pcs.
1	AST 4.8x9.5	Tapping screw	2

Position 1



Position 2



Position 3

