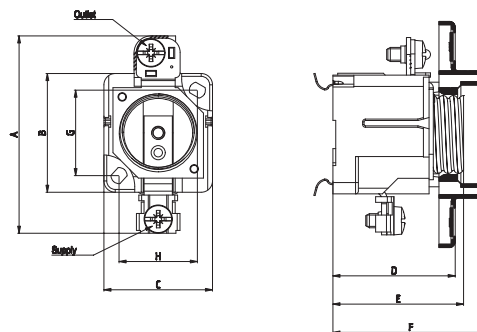


Technical data

1-pole fuse base

Technical data:

Rated voltage U_n	500 V, 690 V
Rated current I_n	DII 25 A, DIII 63 A
Insulating class	according to IEC 60664-1
Cross-section of connecting lead	DII 1 to 10 mm ² DIII 2,5 to 25 mm ²
Standards, publications	IEC 60269, EN 60269, DIN VDE 0636



Fuse base EZN, EZV

type	[A]	Connection		dimension							
		Supply	Outlet	A	B	C	D	E	F	G	H
EZN 25	25			70	42	39	44	47	56	30	27
EZV 25	25			70	42	39	44	47	56	30	27
EZN 25-ZP	25			70	42	39	44	47	56	30	27
EZV 25-ZP	25			70	42	39	44	47	56	30	27
EZN 63	63			80	46	46	44	47	56	35	35
EZV 63	63			80	46	46	44	47	56	35	35
EZN 63-ZP	63			80	46	46	44	47	56	35	35
EZV 63-ZP	63	2x M5	2x M5	80	46	46	44	47	56	35	35
EZN 63-M6	63			80	46	46	44	47	56	35	35
EZV 63-M6	63			80	46	46	44	47	56	35	35